

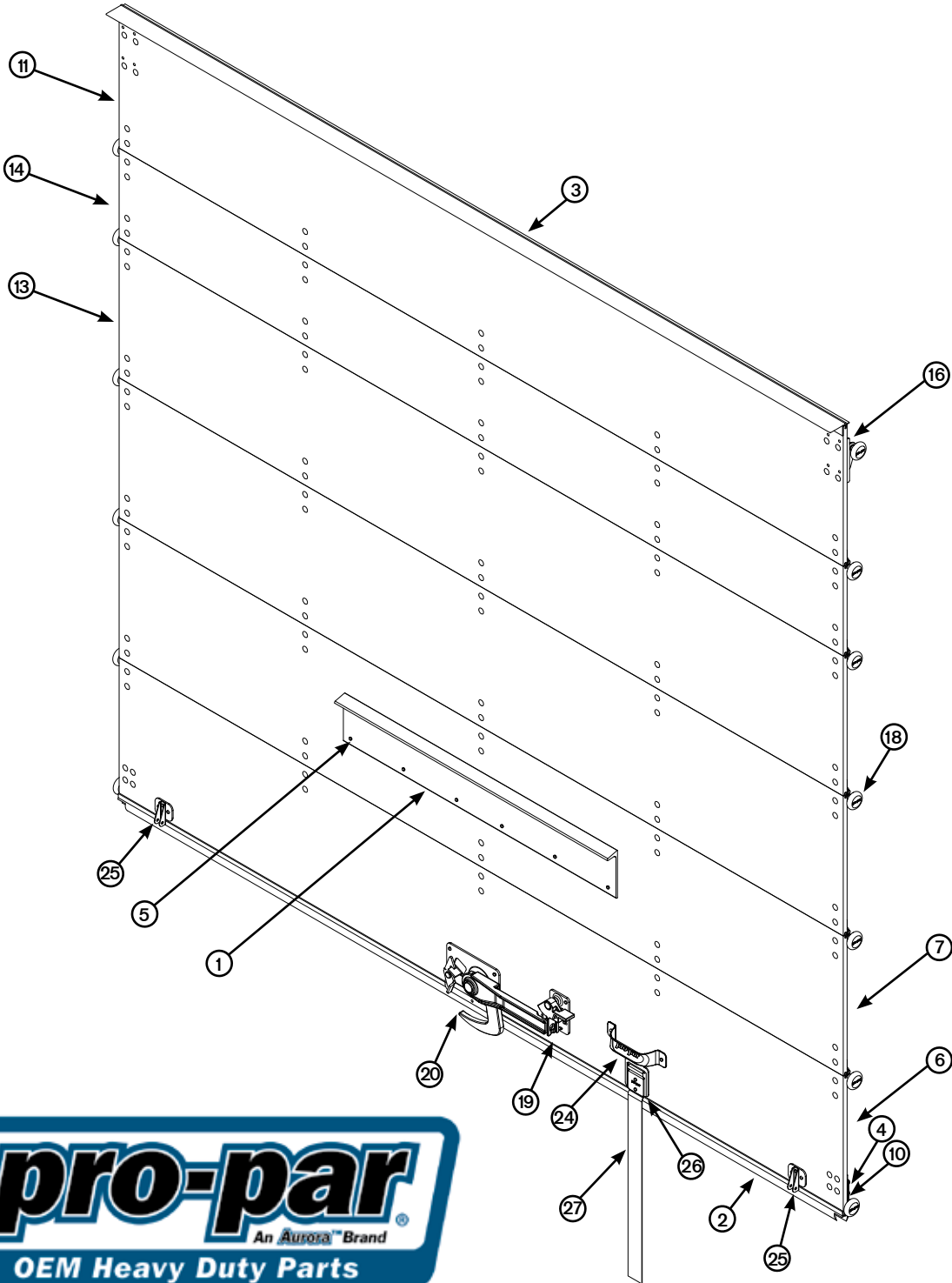
Doors & Accessories 361-476

OHD / Overhead Doors	362-421
Pro-Par	362-375
Todco	376-395
Whiting	396-412
Transglobal	413-417
Swing Doors	422-476
Doors / Door Blanks	422-423
Conversion Kits	424-428
Corner Repair	429
Seals / Gaskets /	
Seal Retainers	430-434
Corner Tabs	435
Chain Snaps	435-437
Footman Loops	438
Hinges	439-454
Holdbacks	455-457
Lockrods	458-475
Mid Cam Locks	476
Stoppers	476



Pro-Par Composite OHD

Generic Model



DOR

OHD / Overhead Doors



Pro-Par Composite OHD

Components

Item	Part Number	Description
1	PROOH260000	36 in. Forklift Plate
2	PROOH415704-098C	Bottom Seal
3	PROOHSEAL98T	Top Seal
4&5	RVT6-28	Aluminum Rivet, Brazier Head 1/4 in. x 15/16 in.
6	PROPL3-160098402	OHD Panel, Bottom, 1 in. Set-up
7	PROPL3-160098402	OHD Panel, Forklift
8	PROOH810000BA	Pro-Par Style End Hinge (Not Shown)
9	PROOH810500B	Center Hinge, Black (Not Shown)
10	PROOH810600B	Bottom Bracket, Black
11	PROPL3-160098402	OHD Panel, Top
12	SCW6-125[^]	Deck Screw # 8 1-1/4 in. Phillips HD (Not Shown)
13	PROPL3-160098402	OHD Panel, Intermediate
14	PROPL3-110098402	OHD Panel, Intermediate
15	PRODECAL0001	Pro-Par Decal (Not Shown)
16	PROOH210300BA	Top Fixture - Black Assembled
17	PROOH270001	Latch Plate (Not Shown)
18	PROOH270550	Roller 1 in. Sealed Bearing
19	PROOH280250B	Lock Keeper, 1 in. Black
20	PROOH280350B	1 in. Set-up Lock, Black
21	PROOH415900PR	SST Cable, 125 in. (Not Shown)
22	PROOH415951	Cotter Pin (Not Shown)
23	PROOH810000BA	Pro-Par Style End Hinge (Not Shown)
24	PROOH810700B	Grab Handle, Black
25	PROOH810800B	Cable Anchor Bracket, HD Black
26	PROOH810950B	Retainer, Pull Strap, Black
27	PROOH810900-360	36 in. Pull Strap
28	RVT6-28	Aluminum Rivet, Brazier Head 1/4 in. x 15/16 in. (Not Shown)
29	RVT10-272	Aluminum Rivet, Brazier Head 1/4 in. x 1-1/8 in. (Not Shown)
33	PROOH415925	Anchor Pin (Not Shown)
34	PROOH270600	Spacer, Roller (Not Shown)
35	PRODECAL0002	Warning Decal (Not Shown)

DOR

OHD / Overhead Doors



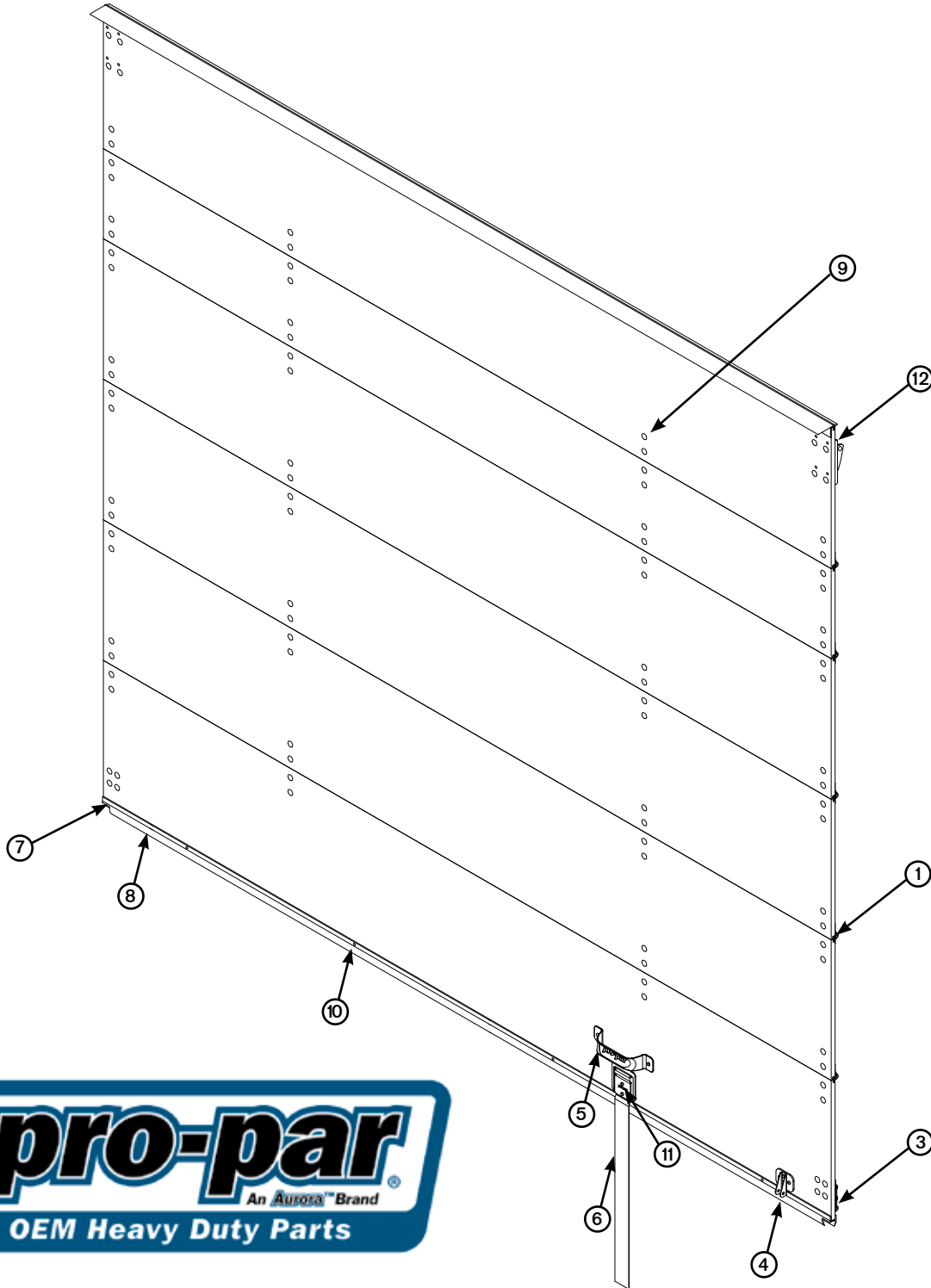
[^]Part included for reference only.

Pro-Par Wood OHD

Generic Model 98 in. x 107 in.

DOR

OHD / Overhead Doors



Pro-Par Wood OHD

Components

Item	Part Number	Description
1	PROOH810000BA	End Hinge, Black
2	PROOH810500B	Center Hinge, Black
3	TGD5600-2.5	Bottom Roller Bracket Assembly
4	PROOH810800B	Cable Anchor Bracket, Black
5	PROOH810700B	Grab Handle, Black
6	PROOH810975B	Pull Strap Assy, Nylon, 36 in.
7	WHI8280-2	Aluminum Retainer
8	PROOH415704-098C	Door Seal, Dual Durometer, Gray
9	PROOH89291-32	Rivet, SS, Semi Tubular, 1/4 in. x 1 in.
10	PROOH89291-36	Rivet, SS, Semi Tubular, 1/4 in. x 1-1/8 in.
11	PROOH89291-40	Rivet, SS, Semi Tubular, 1/4 in. x 1-1/4 in.
12	PROOH210300BA	Top Fixture, Black
14	PROD751798TTW	Top Panel, 17x98, PPW
15	PROD751598TIW	Intermediate Panel, 15x98, PPW
16	PROD751598TBW	Bottom Panel, 15x98, PPW
17	LOOSE HARDWARE	
18	PROOH89291-32	Rivet, SS, Semi Tubular, 1/4 in. x 1 in.
19	PROOH89291-40	Rivet, SS, Semi Tubular, 1/4 in. x 1-1/4 in.
20	TGD6944	Top Closure Assembly
21	BLT11-232	Step Bolt, 1/4-20 x 1-1/4 in. Splined
22	PROOH270600	Washer Spacer, .704 OD x .474 ID x .062
23	PROOH415925	Cable Anchor Pin
24	PROOH415951	Cotter Pin
25	NUTHNKU04	Keq Lock Nut 1/4 in.-20
26	PROOH270500	2 in. Roller
27	PROOH415900PR	Door Cable, 125 in., SS
28	61403^	Seal Retainer
34	DSEALTP4000^	Header Seal
35	PROOH280300B	Lock, Black
34	PROOH280250B	Lock Keeper, Black
33	PROOH810000BA	End Hinge, Black
34	TGD5600-2.5	Bottom Roller Bracket Assembly
33	TGD5803	Cable Anchor Bracket

DOR

OHD / Overhead Doors

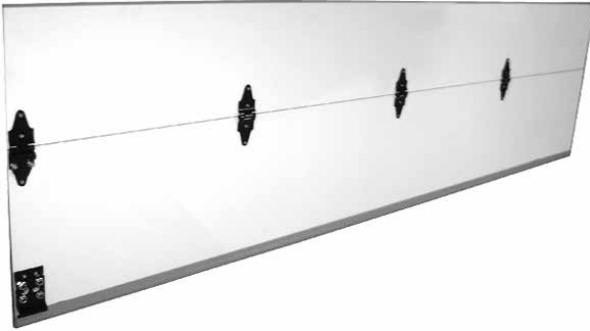


[^]Part included for reference only.

Pro-Par Overhead Doors & Panels

Composite Panels

	Type	Size	Additional
PROPL3-150098402	Intermediate	1/2 in. x 15 in. x 98-1/4 in.	Routed & Splined
PROPL4-150098402	Bottom	15 in. x 98-1/4 in.	Less Lock & Keeper



Composite Combo Panels:

- Replaces bottom two panels of wood door with composite panels
- Includes universal combo panels, pre-bucked rivets, hinges & seal
- Follows the normal procedures to replace damaged panels with new panels
- Fits Todco & Whiting Style Tongue & Groove

Wood Door Assemblies - 3/4 in.

	Style	Size	Color	Additional
PROD9090L	T	90 in. x 90 in.	Primer	Less Track & Operator, 1 in. roller
PROD9090L-FM	W	90 in. x 90 in.	Primer	Less Track & Operator, 2 in. roller
PROD9090L-PPW	T	90 in. x 90 in.	White	Less Track & Operator, 1 in. roller
PROD90100L	T	90 in. x 100 in.	Primer	Less Track & Operator, 1 in. roller
PROD90100L-FM	W	90 in. x 100 in.	Primer	Less Track & Operator, 2 in. roller
PROD90100L-PPW	T	90 in. x 100 in.	White	Less Track & Operator, 1 in. roller
PROD96100L	T	96 in. x 100 in.	Primer	Less Track & Operator, 1 in. roller
PROD98100L	T	98 in. x 100 in.	Primer	Less Track & Operator, 1 in. roller
PROD98100L-FM	W	98 in. x 100 in.	Primer	Less Track & Operator, 2 in. roller
PROD98100L-PPW	T	98 in. x 100 in.	White	Less Track & Operator, 1 in. roller
PROD98105L	T	98 in. x 105 in.	Primer	Less Track & Operator, 15 in. panels, 1 in. roller
PROD98105L-FM	W	98 in. x 105 in.	Primer	Less Track & Operator, 2 in. roller
PROD98105L-PPW	T	98 in. x 105 in.	White	Less Track & Operator, 1 in. roller
PROD98107L	T	98 in. x 107 in.	Primer	Less Track & Operator, 1 in. roller
PROD98107L-FM	W	98 in. x 107 in.	Primer	Less Track & Operator, 2 in. roller
PROD98107L-PPW	T	98 in. x 107 in.	White	Less Track & Operator, 1 in. roller
PROD98107L-PPWFM	W	98 in. x 107 in.	White	Less Track & Operator, 2 in. roller
PROD98112L	T	98 in. x 112 in.	Primer	Less Track & Operator, 1 in. roller
PROD98112L-FMPPW	W	98 in. x 112 in.	White	Less Track & Operator, 2 in. roller

DOR

OHD / Overhead Doors



Pro-Par Overhead Doors & Panels

Wood Door Panels - 3/4 in.

	Type	Section	Size	Color	Additional
PROD751198TI	T&G	Intermediate	3/4 in. x 11 in. x 98 in.	Primer	Routed
PROD751198TINR	T&G	Intermediate	3/4 in. x 11 in. x 98 in.	Primer	No Routes
PROD751198TIW	T&G	Intermediate	3/4 in. x 11 in. x 98 in.	White	Routed
PROD751198TIWNR	T&G	Intermediate	3/4 in. x 11 in. x 98 in.	White	No Routes
PROD7511.598TINR	T&G	Intermediate	3/4 in. x 11-1/2 in. x 98 in.	Primer	No Routes
PROD7511.598TIW	T&G	Intermediate	3/4 in. x 11-1/2 in. x 98 in.	White	Routed
PROD7511.598TIWNR	T&G	Intermediate	3/4 in. x 11-1/2 in. x 98 in.	White	No Routes
PROD751298TI	T&G	Intermediate	3/4 in. x 12 in. x 98 in.	Primer	Routed
PROD751298TINR	T&G	Intermediate	3/4 in. x 12 in. x 98 in.	Primer	No Routes
PROD751298TIW	T&G	Intermediate	3/4 in. x 12 in. x 98 in.	White	Routed
PROD751298TIWNR	T&G	Intermediate	3/4 in. x 12 in. x 98 in.	White	Tongue & Groove, No Routes
PROD751398TI	T&G	Intermediate	3/4 in. x 13 in. x 98 in.	Primer	Routed
PROD751398TIW	T&G	Intermediate	3/4 in. x 13 in. x 98 in.	White	Routed
PROD751598TI	T&G	Intermediate	3/4 in. x 15 in. x 98 in.	Primer	Routed
PROD751598TINR	T&G	Intermediate	3/4 in. x 15 in. x 98 in.	Primer	No Routes
PROD751598TIW	T&G	Intermediate	3/4 in. x 15 in. x 98 in.	White	Routed
PROD751598TIWNR	T&G	Intermediate	3/4 in. x 15 in. x 98 in.	White	No Routes
PROD751198TB	T&G	Bottom	3/4 in. x 11 in. x 98 in.	Primer	With Hardware, Routed
PROD751198TBW	T&G	Bottom	3/4 in. x 11 in. x 98 in.	White	With Hardware, Routed
PROD751198TBWNR[^]	T&G	Bottom	3/4 in. x 11 in. x 98 in.	White	With Hardware, No Routes
PROD7511.598TBNR[^]	T&G	Bottom	3/4 in. x 11-1/2 in. x 98 in.	Primer	With Hardware, No Routes
PROD7511.598TBWNR[^]	T&G	Bottom	3/4 in. x 11-1/2 in. x 98 in.	White	With Hardware, No Routes
PROD751298TB	T&G	Bottom	3/4 in. x 12 in. x 98 in.	Primer	With Hardware, Routed
PROD751298TBNR[^]	T&G	Bottom	3/4 in. x 12 in. x 98 in.	Primer	With Hardware, No Routes
PROD751298TBW	T&G	Bottom	3/4 in. x 12 in. x 98 in.	White	With Hardware, Routed
PROD751298TBWNR[^]	T&G	Bottom	3/4 in. x 12 in. x 98 in.	White	With Hardware, No Routes
PROD751398TB	T&G	Bottom	3/4 in. x 13 in. x 98 in.	Primer	With Hardware, Routed
PROD751398TBW	T&G	Bottom	3/4 in. x 13 in. x 98 in.	White	With Hardware, Routed
PROD751598TB	T&G	Bottom	3/4 in. x 15 in. x 98 in.	Primer	With Hardware, Routed
PROD751598TBNR[^]	T&G	Bottom	3/4 in. x 15 in. x 98 in.	Primer	With Hardware, No Routes
PROD751598TBW	T&G	Bottom	3/4 in. x 15 in. x 98 in.	White	With Hardware, Routed
PROD751598TBWNR[^]	T&G	Bottom	3/4 in. x 15 in. x 98 in.	White	With Hardware, No Routes
PROD7515.598TBNR	T&G	Bottom	3/4 in. x 15-1/2 in. x 98 in.	Primer	With Hardware, No Routes

T&G - Tongue & Groove

Bottom Panels Include Steel Angle w/Seal, Bottom Fixtures, Cable Anchors, Pull Strap & Lift Handle

[^]Bottom Panels Include U-Channel w/Seal, Bottom Fixtures, Cable Anchors, Pull Strap & Lift Handle

DOR

OHD / Overhead Doors



More Information

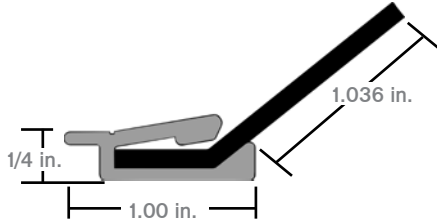
www.MyAuroraPlus.com

Need more information on a particular trailer? Log into www.MyAuroraPlus.com for Aurora's Graphical Bill of Material (GBOM). Easily point and click through visual elements of a trailer to drill down to an individual trailer component.

Pro-Par Door Seals

Side Seal

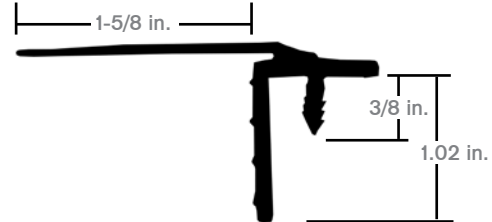
PROOH415700-1100



Material: Belted Rubber
Length: 110 in.

Top Seal

PROOH415702-1000



Color: Black For: Composite Door
Size: 100 in. x 1/2 in.

Bottom Seal

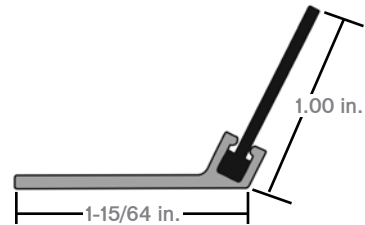
PROOH415704-098C



Color: Gray For: Swing or OHD
Size: 1/2 in. x 98-3/4 in.

Brush Side Seal

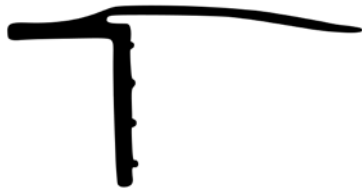
PROOH415805-1100



Material: Brush Seal Color: Black
Length: 110 in.

Top Seal

PROOHSEAL98T



Color: Black For: Composite Door
Size: 3/4 in. x 98 in.

DOR

OHD / Overhead Doors



More Information

The Tweakster



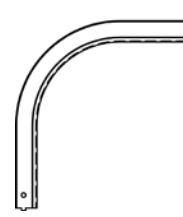
The Tweakster is used to repair bent track instead of replacing it. Tweaksters are available for 1 in. track and 2 in. track.

TOL1311 1 in. Track Straightener
TOL1312 2 in. Track Straightener

Pro-Par Door Track

Horizontal Track

	Location	Size	Clips
PROOH410005-1300	Curbside	1 in. x 18 in. x 130 in.	No
PROOH410006-1300	Roadside	1 in. x 18 in. x 130 in.	No
PROOH410003-1300	Curbside	2 in. x 18 in. x 130 in.	No
PROOH410004-1300	Roadside	2 in. x 18 in. x 130 in.	No



Universal Track & Dual Spring Operator Kit PROOH49020



2 in. Roller
Size: 2 in. x 110 in.

Rubber End Stop PROOH416600



For: Horizontal Track
Size: 2 in.

Pro-Par Components

Counterbalances / Operators

	Spring	Roller Size	Length	Size
PROOH330500	Single	1 in.	96 in.	.243 x 1.75 x 57
PROOH330600			96 in.	.262 x 1.75 x 57
PROOH330601			96 in.	.262 x 1.75 x 57
PROOH330602			96 in.	.262 x 1.75 x 62
PROOH330700			98 in.	.283 x 1.75 x 68
PROOH350600	Dual	2 in.	96 in.	.192 x 2.18 x 33 (2)
PROOH350625			94 in.	.192 x 2.18 x 33 (2)
PROOH350650			93 in.	.187 x 2.18 x 31 (2)
PROOH350675			87 in.	.187 x 1.75 x 31 (2)



Single Spring



Dual Spring

DOR

OHD / Overhead Doors



Pro-Par Components

Door Cables

	Eye	Length
PROOH415874PR	1/4 in.	110 in.
PROOH415920PR	1/4 in.	115 in.
PROOH415915PR	1/4 in.	130 in.
PROOH415879PR	1/4 in.	140 in.
PROOH415881PR	1/4 in.	145 in.
PROOH415883PR	1/4 in.	150 in.
PROOH415871PR	5/16 in.	92 in.
PROOH415873PR	5/16 in.	97 in.
PROOH415870PR	5/16 in.	105 in.
PROOH415875PR	5/16 in.	110 in.
PROOH415880PR	5/16 in.	115 in.
PROOH415900PR	5/16 in.	125 in.
PROOH415885PR	5/16 in.	130 in.
PROOH415884PR	5/16 in.	156 in.

	Eye	Length
PROOH415872PR	7/16 in.	95 in.
PROOH415890PR	7/16 in.	105 in.
PROOH415876PR	7/16 in.	110 in.
PROOH415895PR	7/16 in.	115 in.
PROOH415877PR	7/16 in.	120 in.
PROOH415905PR	7/16 in.	125 in.
PROOH415910PR	7/16 in.	130 in.
PROOH415878PR	7/16 in.	135 in.
PROOH415882PR	7/16 in.	145 in.

Material: Stainless Steel
 Metal Eye: 7 x 19
 Count: Pair



DOR

OHD / Overhead Doors



Pro-Par Hardware

Cable Drums

Location	
Roadside	PROOH360000
Curbside	PROOH360100



Size: 3 in.
 Includes: Screws

Cable Drum & Bearing Assemblies

Location	
Roadside	PROOH360200
Curbside	PROOH360300



Dual Spring Center Clamp PROOH350100



Spring Bearing Kit PROOH320000



Pro-Par Hardware

Cable Anchor Brackets

Finish	
Black	PROOH810800B
White	PROOH810800W



Bottom Fixtures

Finish	
Black	PROOH810600B
Stainless Steel	PROOH810600SS



Center Hinges

	Finish	Additional
PROOH810300B	Black	Heavy Duty
PROOH810500B	Black	
PROOH810500SS	Stainless Steel	
PROOH220100S	Silver	



(PROOH810300B)



(PROOH810500B)



(PROOH220100S)

End Hinges

	Type	Finish	Additional
PROOH810000-1SS	Hinge	Stainless Steel	Without Cover
PROOH810000-2B	Cover	Black	
PROOH810000-2SS	Cover	Stainless Steel	
PROOH810000BA	Assembly	Black	
PROOH810400-1B	Hinge	Black	Heavy Duty
PROOH810400-2B	Cover	Black	Heavy Duty
PROOH810400BA	Assembly	Black	Heavy Duty
PROOH220000S	Hinge	Silver	Standard



(PROOH810000-1SS)



(PROOH810000-2B)



(PROOH810000-2SS)



(PROOH810000BA)



(PROOH810400-1B)



(PROOH810400-2B)



(PROOH810400BA)

DOR

OHD / Overhead Doors



Pro-Par Hardware

Bottom Fixture PROOH810650S



Finish: Silver
For: Wood Door

Locks

Finish	Part Number
Black	PROOH280300B
Galvanized	PROOH280300G
White	PROOH280300W



W-Style

Top Fixtures

Part Number	Type	Finish	Additional
PROOH210300BA	Assembly	Black	
PROOH210300SSA	Assembly	Stainless Steel	
PROOH210300-1B	Bottom Only	Black	Less Bolts
PROOH210300-4B	Base	Black	With Hardware
PROOH210300-2B	Top Only	Black	Less Bolts



(PROOH210300-1B)



(PROOH210300-2B)



(PROOH210300-4B)



(PROOH210300BA)



(PROOH210300SSA)

Accessories

Stud	PROOH210300-3
Washer	PROOH210350-4
Bolt	PROOH210350-5

Keepers

Finish	Part Number
Black	PROOH280200B
Galvanized	PROOH280200G
White	PROOH280200W



W-Style

Locks

Finish	Part Number
Black	PROOH280350B
Galvanized	PROOH280350G
White	PROOH280350W



T-Style

DOR

OHD / Overhead Doors



Pro-Par Hardware

Keepers

Finish	
Black	PROOH280250B
Galvanized	PROOH280250G
White	PROOH280250W

T-Style



Lock with Keeper

PROOH280310W



Style: W-Style
Finish: White

Latch Plate

PROOH270001



Pull Strap

Width	Length	
2 in.	24 in.	PROOH810900-240
2 in.	30 in.	PROOH810900-300
2 in.	36 in.	PROOH810900-360
2 in.	60 in.	PROOH810900-600

Color: Black



Grab Handles

Finish	
Black	PROOH810700B
Stainless Steel	PROOH810700SS
White	PROOH810700W



Pull Strap Retainer

Finish	
Black	PROOH810950B
Stainless Steel	PROOH810950SS
White	PROOH810950W



Accessories

1/4 in. Rivets Needed

Strap & Retainer Assembly

Pull Strap Length	Retainer Finish	
36 in.	Black	PROOH810975B
36 in.	White	PROOH810975W
60 in.	White	PROOH810976W



Retainer Assembly Kit

PROOH810900-600KIT

Pull Strap Length:
60 in.
Retainer Finish:
White
Includes Rivets



DOR

OHD / Overhead Doors



Pro-Par Hardware

Rollers & Spacer

	Type	Size
PROOH270550	Roller	1 in.
PROOH270500	Roller	2 in.
PROOH270600	Spacer	0.704 in. x 0.474 in. x 0.062 in.



Semi Tubular Rivets - Stainless Steel

	Diameter	Length	Additional
PROOH89291-26	1/4 in.	5/8 in.	
PROOH89291-28	1/4 in.	3/4 in.	
PROOH89291-25	1/4 in.	25/32 in.	Locks, Handles
PROOH89291-30	1/4 in.	7/8 in.	
PROOH89291-29	1/4 in.	29/32 in.	Fixtures - External
PROOH89291-32	1/4 in.	1 in.	
PROOH89291-36	1/4 in.	1-1/8 in.	
PROOH89291-40	1/4 in.	1-1/4 in.	



Flange Nut PRONUT2



Size: 5/16 in. - 18

Backer Plate PROOH000103G

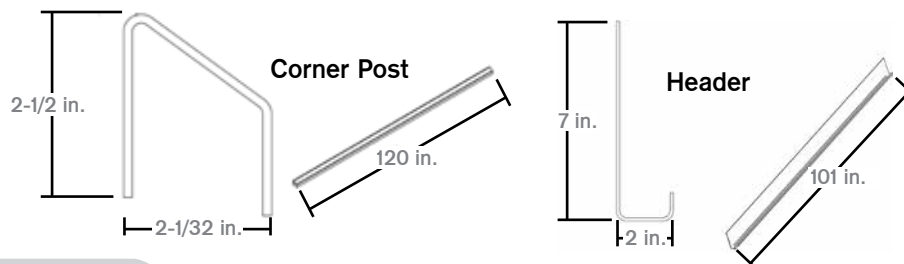


Finish: Galvanized

Swing Door Conversion Kit

PROOH-CONVKIT-001

Converts Old Swing Doors to Roll-up Doors



Includes: 2 Posts & 1 Header

DOR

OHD / Overhead Doors



Pro-Par Door Hardware Cross Reference

Pro-Par	Description	Todco	Whiting
PROOH810800B	Cable Anchor Bracket - Black	TOD61204	WHI5803
PROOH810800W	Cable Anchor Bracket - White	TOD61204	WHI5803
PROOH360000	Cable Drum - Roadside	TOD59157-4	WHI4128
PROOH360100	Cable Drum - Curbside	TOD59157-3	WHI4127
PROOH360200	Cable Drum & Bearing Assembly - Roadside		WHI2547
PROOH360300	Cable Drum & Bearing Assembly - Curbside		WHI2548
PROOH810650S	Bottom Fixture	TOD61352	
PROOH220100S	Center Hinge for Wood Door	TOD61196	
PROOH810500B	Center Hinge		WHI15
PROOH220000S	End Hinge for Wood Door	TOD69035	
PROOH810000-1B	End Hinge		WHI1207
PROOH810000-2B	End Hinge		WHI1208
PROOH810000BA	End Hinge Assembly		WHI1209-A
PROOH210350S	Top Fixture for Wood Door	TOD69433	
PROOH210350S03	Top Fixture	TOD69432	
PROOH210350S05	Top Fixture for Wood Door	TOD69431	
PROOH210300BA	Top Fixture Assembled		WHI6944
PROOH210300-2B	Top Fixture		WHI6943
PROOH280300B	Lock - Black		WHI77
PROOH280300G	Lock - Galvanized		WHI77
PROOH280300W	Lock - White		WHI77WHT
PROOH280350B	Lock - Black	TOD69571	
PROOH280350G	Lock - Stainless Steel	TOD69571	
PROOH280350W	Lock - White	TOD69571-PPW	
PROOH280200B	Keeper - Black		WHI7515
PROOH280200G	Keeper - Galvanized		WHI7515
PROOH280200W	Keeper - White		WHI7515WHT
PROOH280250B	Keeper - Black	TOD69572	
PROOH280250G	Keeper - Stainless Steel	TOD69572	
PROOH280250W	Keeper - White	TOD69572	
PROOH270001	Latch Plate		WHI2804
PROOH810950B	Retainer - Black	TOD69832	
PROOH810950W	Retainer - White	TOD69832	
PROOH270550	1 in. Roller	TOD61174	
PROOH270500	2 in. Roller	TOD70224	WHI2996
PROOH320000	Spring Bearing Kit	TOD51038	
PROOH330500	Operator Assy, Single Spring 96", .243, Counterbalance	TOD59292	
PROOH350100	Dual Spring Center Clamp		WHI2526
PROOH350650	Operator Assy, Sual Spring 93", .187, with Brackets		WHI2376-93
PROOH350675	Operator Assy, Dual Spring, .187x31x87", with Brackets		WHI2376-87
PROOH810700B	Grab Handle - Black	TOD61401-05	WHI1715
PROOH810700W	Grab Handle - White	TOD61401	WHI1715WHT
PROOH810975B	Strap & Retainer Assembly		WHI9723

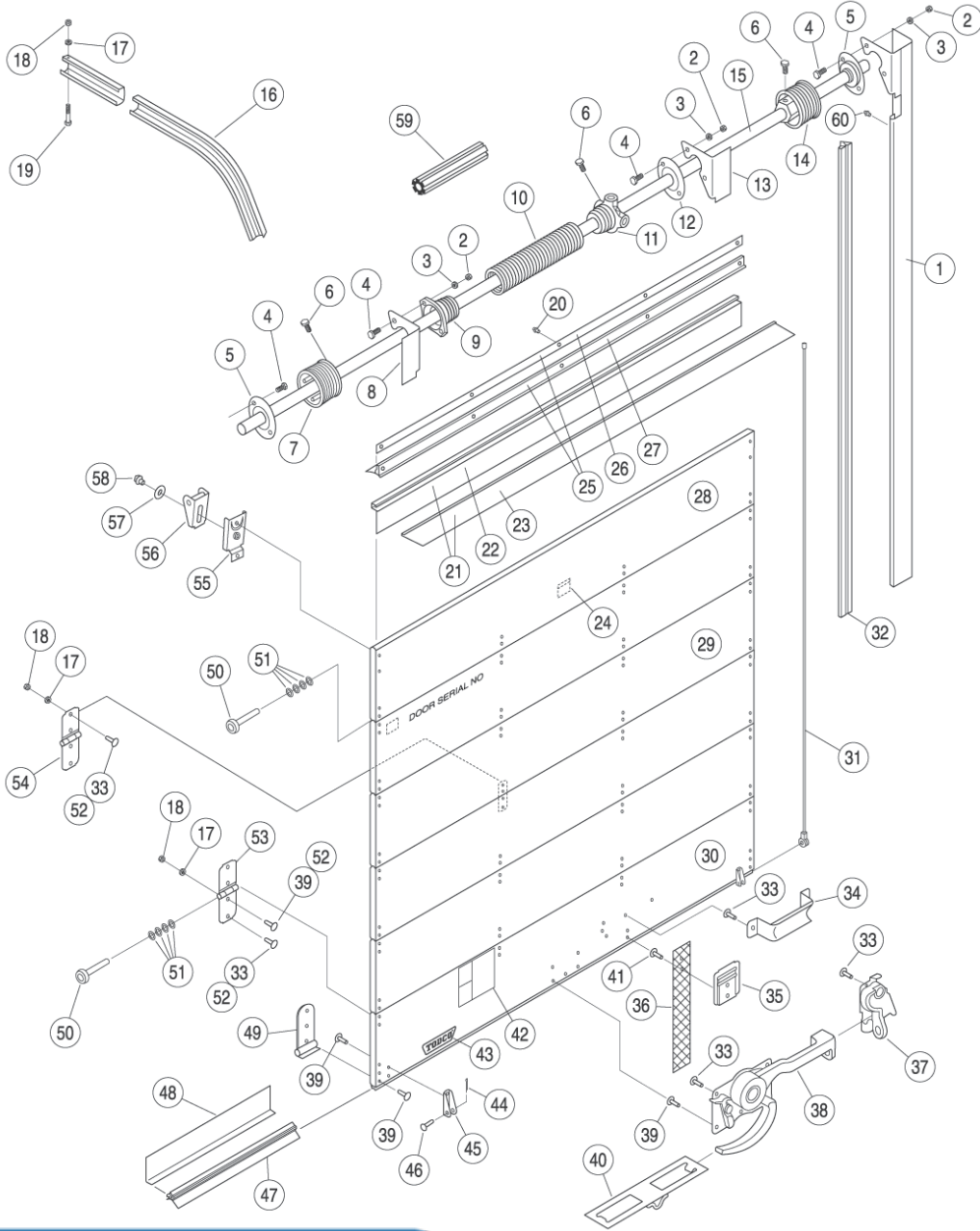
DOR

OHD / Overhead Doors



Todco 3/4 in. Std Plywood

Model - Exploded View



DOR

OHD / Overhead Doors



Todco 3/4 in. Std Plywood

Components

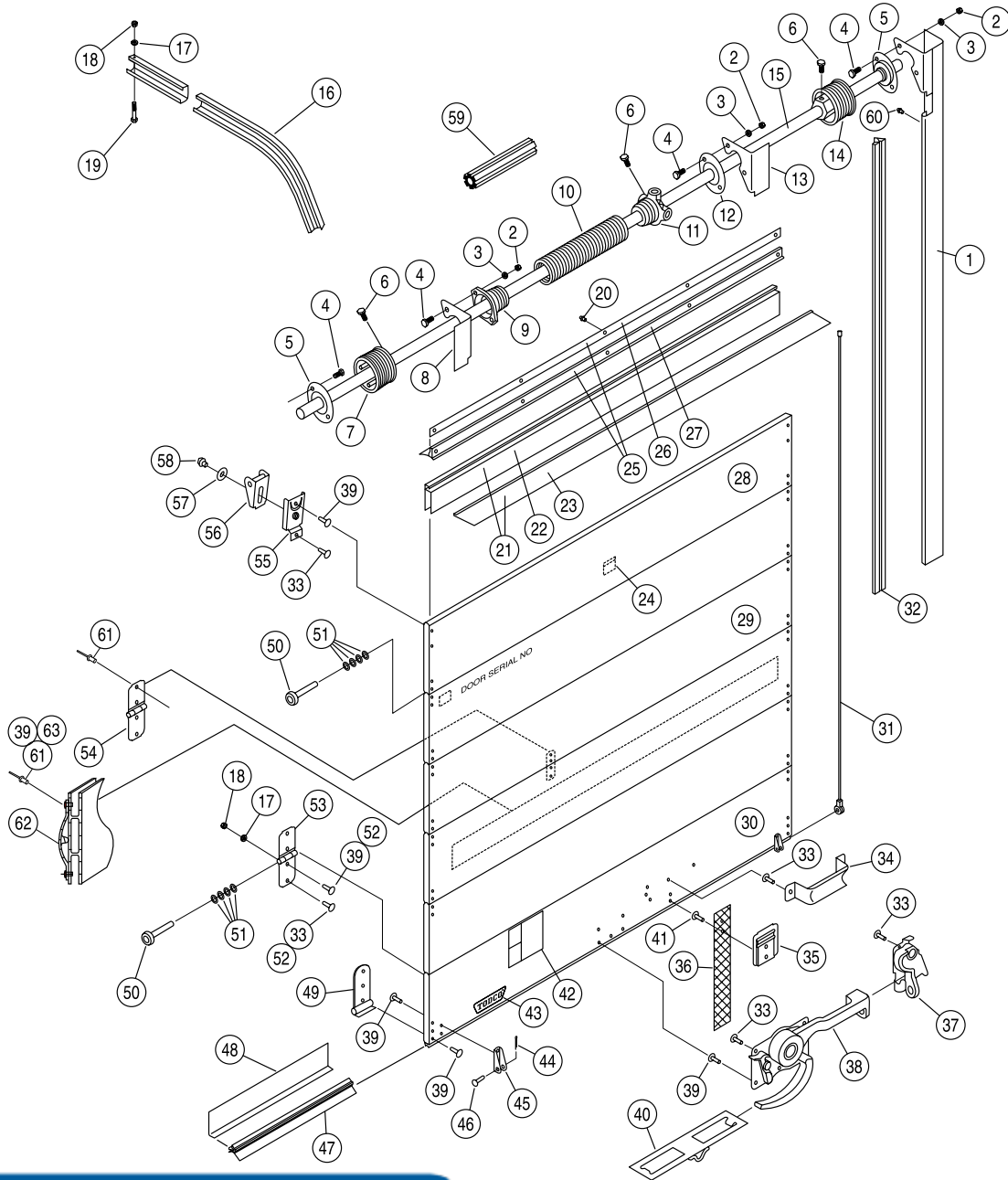
Item	Part Number	Description
1	TOD49014-111C	Vertical Track Assembly - 111-3/4
2	TGD80352-518-OE	Hex Nut - 5/16 in.
3	TGD80322-319-OE	Lock Washer - 5/16 in.
4	89186-3[^]	Hex Head Bolt - 5/16 in. x 7/8 in.
5	TOD51038	Bearing Assembly
6	TOD80300-2414	Hex Head Set Screw - 3/8 in. x 7/8 in.
7	TOD59129-2	Cable Drum Roadside - 105 in.
	TOD59157-4	Cable Drum Roadside - 105 to 120 in.
8	TOD51036-2	Spring Anchor Bracket
9	TOD51043	Spring Anchor Plug 1-3/4 in. Inner Diameter Spring
	TOD59024	Spring Anchor Plug 2-1/2 in. Inner Diameter Spring
10	TOD51042	Spring - Inner Diameter 1-3/4 in.
	TOD59031.026X65	Spring - Inner Diameter 2-1/2 in.
11	TOD59158	Spring Winding Plug - 1-3/4 in. Inner Diameter Spring
	59159[^]	Spring Winding Plug - 2-1/2 in. Inner Diameter Spring
12	TOD59083	Bearing Assembly - Support Bracket
13	TOD51036-1	Support Bracket - Curbside
14	TOD59129-1	Cable Drum Curbside - 105 in.
	TOD59157-3	Cable Drum Curbside - 105 to 120 in.
15	TOD59290-98	Counterbalance Shaft
16	TOD49702-1300	Horizontal Track Set - 130 in.
17	80322-255[^]	Lock Washer - 1/4 in.
18	80352-420[^]	Hex Nut - 1/4 in.
19	80105-414[^]	Hex Head Bolt - 1/4 in. x 1-3/4 in.
20	89100-2[^]	Drive Rivet - 3/16 in. x 15/32 in.
21	TOD70001	Head Seal Assembly - 96 in.
22	TOD69790X96	Retainer - Head Seal
23	TOD69718X108	Head Seal
24	70319[^]	Warning Sticker - Counterbalance
25	TOD69770	Head Seal Assembly - 96 in.
26	TOD61403	Retainer - Head Seal - 96 in.
27	TOD61402	Head Seal
28	TOD29013-0000	Top Panel - ToughShell - 15x96
	29017[^]	Top Panel - Aluminum Covered

Item	Part Number	Description
29	TOD29014-11X98	Intermediate Panel
30	TOD29016-1-11X98	Bottom Panel
31	TOD51044PR	Cable Assembly - 110 in. LG -100 in. Door Ht
	TOD59004PR	Cable Assembly - 115 in. LG -100 in. to 105 in. Door Ht
	TOD59003PR	Cable Assembly - 130 in. LG -105 in. to 120 in. Door Ht
32	TOD61390	Side Seal - Pair
33	TOD89210-0032	Rivet - 1 in. LG.
34	TOD61401	Lift Handle
35	TOD69832	Pull Strap Retainer
36	TOD80844-1408	Pull Strap -30 in. Straight Standard
37	TOD69572	Keeper Assembly
38	TOD69571	Maximum Security Lock Assembly - Standard
	TOD70223	Offset Lever Arm
39	TOD89210-0036	Rivet - 1-1/8 in.
40	TOD70093	Catch Box
41	TOD89210-0044	Rivet - 1-3/8 in.
42	70318[^]	Warning Sticker - Safety Notice
43	69793[^]	Name Plate
44	TGD80401-316	Cotter Pin - 3/32 in. Dia.
45	TOD61204	Cable Anchor Bracket
46	TOD61026	Cable Anchor Pin
47	TOD80840-96	Bottom Seal
48	TOD61191	Bottom Angle - 96 in.
49	TOD61352	Bottom Fixture
50	TOD61174	Roller, 1 in. Stl
51	TOD80020	Spacer Washer - Roller
52	80015-0040[^]	Step Bolt - 1/4 in. x 1-1/4 in.
53	TOD69035	End Hinge
54	TOD61196	Center Hinge
55	TOD69432	Base - Adjustable Top Fixture
56	TOD69431	Slide - Adjustable Top Fixture
57	80302-2436[^]	Flat washer - 3/8 in.
58	TOD89049	E-Lok Bolt - 3/8 in.
59	TOD59092-30	Filler Plug -2-1/2 Inner Dia. Spring
60	89100-1[^]	Drive Rivet -3/16 in. Dia. x 9/32 in. LG

[^]Part included for reference only.

Todco WeatherTite™

Model - Exploded View



DOR

OHD / Overhead Doors

TODCO

Todco WeatherTite™

Components

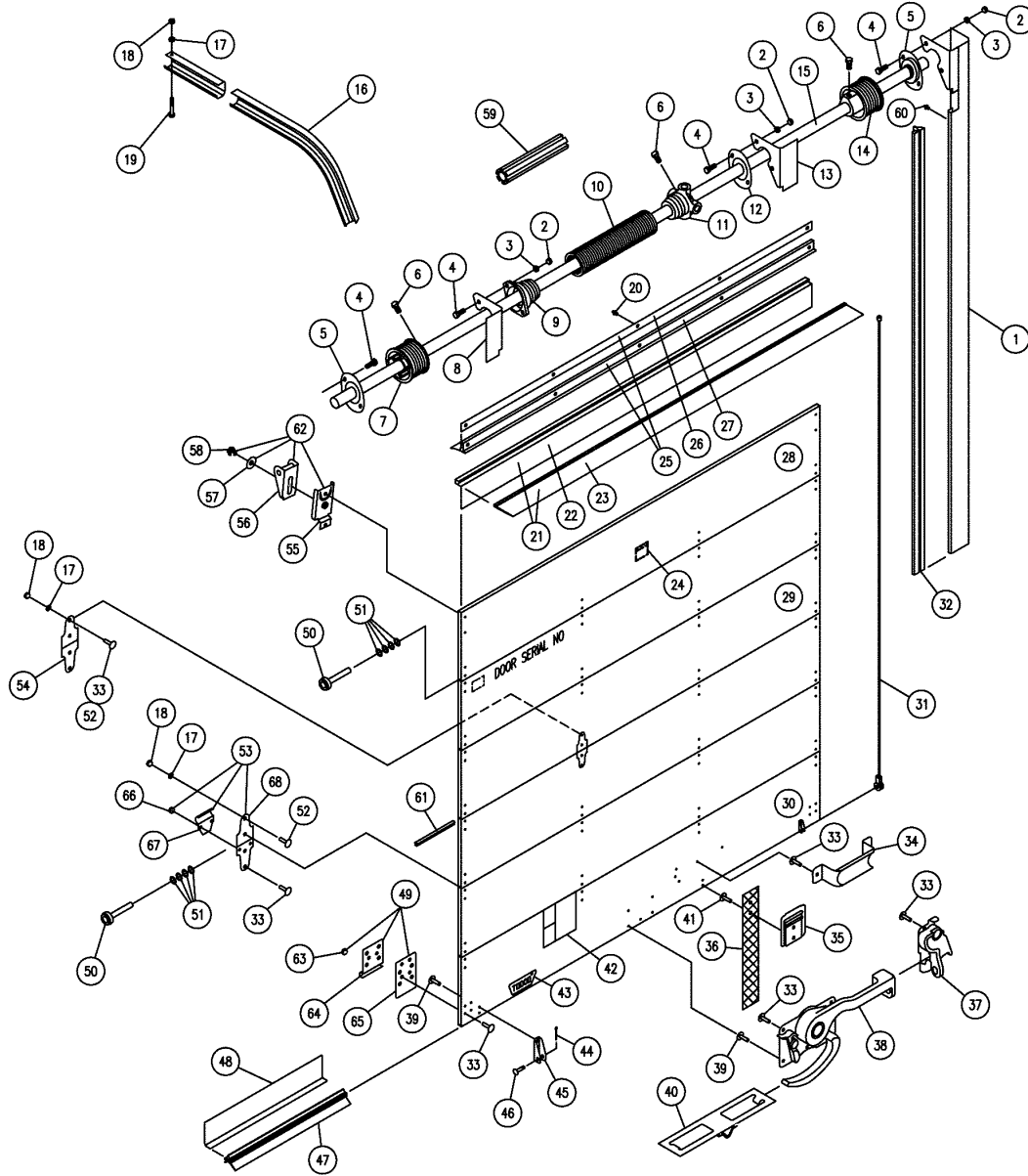
Item	Part Number	Description
1	TOD49014-111C	Vertical Track Assembly - Curbside
2	TGD80352-518-OE	Hex Nut - 5/16 in.
3	TGD80322-319-OE	Lock Washer - 5/16 in.
4	89186-3[^]	Hex Head Bolt - 5/16 in. x 7/8 in.
5	TOD51038	Bearing Assembly
6	TOD80300-2414	Hex Head Set Screw - 3/8 in. x 7/8 in.
7	TOD59129-2	Cable Drum Roadside -105 in. Door Height
	TOD59157-4	Cable Drum Roadside -105 in. to 120 in. Door Height
8	TOD51036-2	Spring Anchor Bracket
9	TOD51043	Spring Anchor Plug -1-3/4 in. Inner Diameter Spring
	TOD59024	Spring Anchor Plug -2-1/2 in. Inner Diameter Spring
10	TOD51042	Spring - 1-3/4 in. Inner Diameter
	TOD59031.0262X65	Spring - 2-1/2 in. Inner Diameter
11	TOD59158	Spring Winding Plug -1-3/4 in. Inner Diameter Spring
	59159[^]	Spring Winding Plug -2-1/2 in. Inner Diameter Spring
12	TOD59083	Bearing Assembly - Support Bracket
13	TOD51036-1	Support Bracket - Curbside
14	TOD59129-1	Cable Drum Curbside -105 in. Door Height
	TOD59157-3	Cable Drum Curbside -105 in. to 120 in. Door Height
15	TOD59290-98	Counterbalance Shaft
16	TOD49702-1300	Horizontal Track Set - 130 in.
17	80322-255[^]	Lock Washer - 1/4 in.
18	80352-420[^]	Hex Nut - 1/4 in.
19	80105-414[^]	Hex Head Bolt - 1/4 in. x 1-3/4 in.
20	89100-2[^]	Drive Rivet - 3/16 in. x 15/32 in.
21	70468[^]	Head Seal Assembly
22	TGD70464	Retainer - Head Seal
23	TOD69718X96	Head Seal
24	70319[^]	Warning Sticker - Counterbalance
25	TOD69770	Head Seal Assembly
26	TOD61403	Retainer - Head Seal
27	TOD61402	Head Seal
28	TOD29917-12.5X98	Top Panel

Item	Part Number	Description
29	TOD29918-11X98	Intermediate Panel
30	TOD29919-1	Bottom Panel
31	TOD51044PR	Cable Assembly - 110 in. LG. -100 in. Door Height
	TOD59004PR	Cable Assembly - 115 in. LG. -100 in. to 105 in. Door Height
	TOD59003PR	Cable Assembly - 130 in. LG. -105 in. to 120 in. Door Height
32	TOD61390	Side Seal - Pair
33	59210-0032[^]	Rivet - 1 in. LG.
34	TOD61401	Lift Handle
35	TOD69832	Pull Strap Retainer
36	TOD80844-1408	Pull Strap - 30 in. Straight Standard
37	TOD69572	Keeper Assembly
38	TOD69571	Security Lock Assembly - Standard
	TOD70223	Security Lock Assembly - Offset Lever Arm
39	TOD89210-0036	Rivet - 1-1/8 in. LG.
40	TOD70093	Catch Box
41	TOD89210-0044	Rivet - 1-3/8 in. LG.
42	70318[^]	Warning Sticker - Safety Notice
43	69793[^]	Name Plate
44	TGD80401-316	Cotter Pin - 3/32 in. Diameter
45	TOD61204	Cable Anchor Bracket
46	TOD61026	Cable Anchor Pin
47	TOD80840-96	Bottom Seal
48	TOD61191	Bottom Angle
49	TOD61352	Bottom Fixture
50	TOD61174	Roller
51	TOD80020	Spacer Washer - Roller
52	BLT11-232	Step Bolt - 1/4 in. x 1-1/4 in.
53	TOD69035	End Hinge
54	TOD61196	Center Hinge
55	TOD69432	Base - Adjustable Top Fixture
56	TOD69431	Slide - Adjustable Top Fixture
57	80302-2436[^]	Flatwasher - 3/8 in.
58	TOD89049	E-Lok Bolt - 3/8 in.
59	TOD59092-30	Filler Plug -2-1/2 in. Inner Diameter Spring
60	89100-1[^]	Drive Rivet -3/16 in. Diameter x 9/32 in. LG.
61	89299-4000[^]	Blind Rivet - 1/4 in. Diameter
62	70465[^]	Reinforcement Strap for Panels over 89-1/4 in. width
63	89317[^]	Sleeve

[^]Part included for reference only.

Todco ArmorPlate™

Model - Exploded View



DOR

OHD / Overhead Doors

TODCO



Todco ArmorPlate™

Components

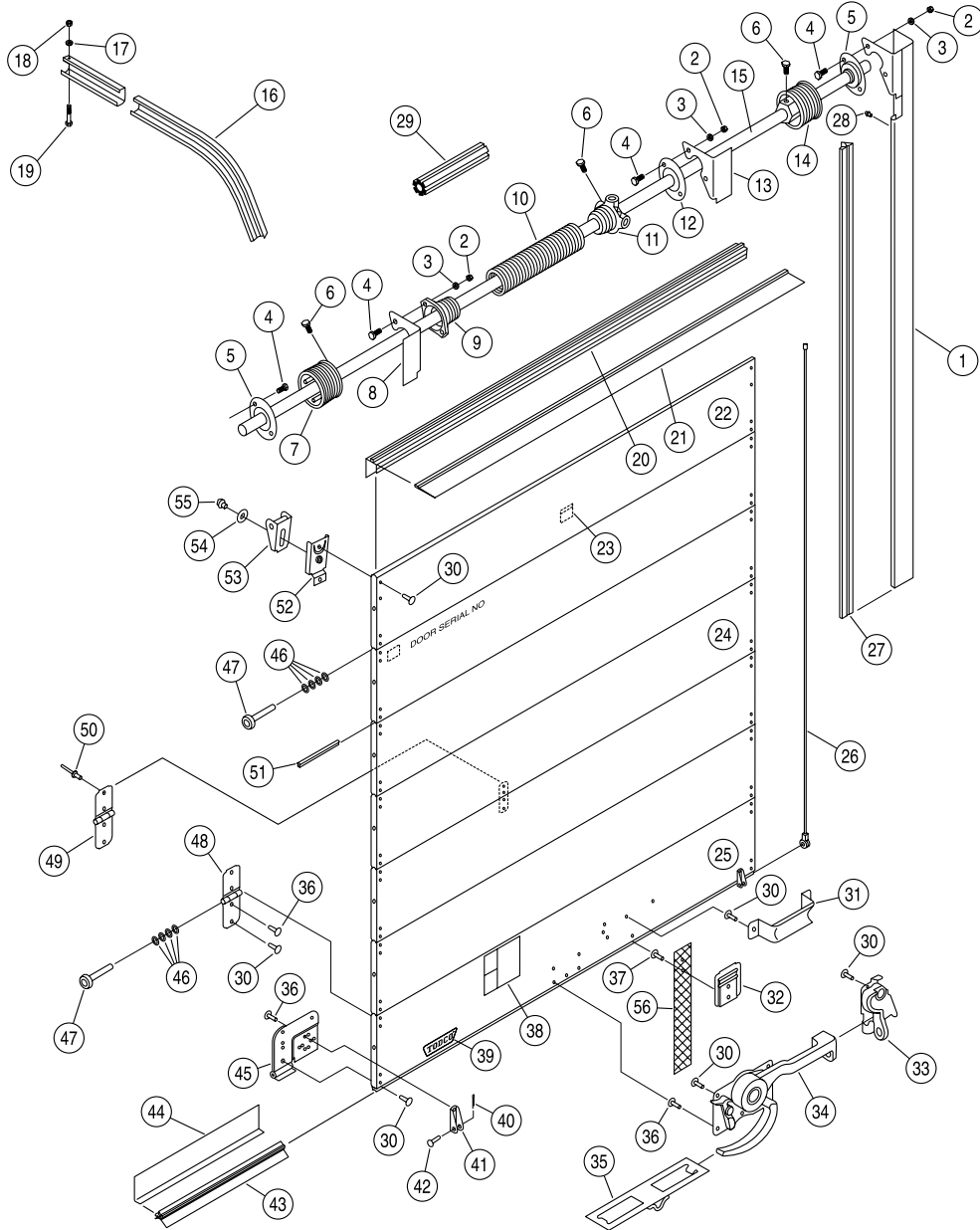
Item	Part Number	Description
1	TOD49014-111C	Vertical Track Assembly
2	TGD80352-518-OE	Hex Nut - 5/16 in.
3	TGD80322-319-OE	Lock Washer - 5/16 in.
4	89186-3[^]	Hex Head Bolt - 5/16 in. x 7/8 in.
5	TOD51038	Bearing Assembly
6	TOD80300-2414	Hex Head Set Screw - 3/8 in. x 7/8 in.
7	TOD59129-2	Cable Drum Roadside -105 in. Door Height
	TOD59157-4	Cable Drum Roadside -105 in. to 102 in. Door Height
8	TOD51036-2	Spring Anchor Bracket
9	TOD51043	Spring Anchor Plug -1-3/4 in. Inner Diameter Spring
	TOD59024	Spring Anchor Plug -2-1/2 in. Inner Diameter Spring
10	TOD51042	Spring - 1-3/4 in. Inner Diameter
	TOD59031.026X65	Spring - 2-1/2 in. Inner Diameter
11	TOD59158	Spring Winding Plug -1-3/4 in. Inner Diameter Spring
	59159[^]	Spring Winding Plug -2-1/2 in. Inner Diameter Spring
12	TOD59083	Bearing Assembly - Support Bracket
13	TOD51036-1	Support Bracket - Curbside
14	TOD59129-1	Cable Drum Curbside -105 in. Door Height
	TOD59157-3	Cable Drum Curbside -105 in. to 120 in. Door Height
15	TOD59290-98	Counterbalance Shaft
16	TOD49702-1300	Horizontal Track Set - 130 in.
17	80322-255[^]	Lock Washer - 1/4 in.
18	80352-420[^]	Hex Nut - 1/4 in.
19	80105-414[^]	Hex Head Bolt - 1/4 in. x 1-3/4 in.
20	89100-2[^]	Drive Rivet - 3/16 in. x 15/32 in.
21	TOD70001	Head Seal Assembly
22	TOD69790X96	Retainer - Head Seal
23	TOD69718X96	Head Seal
24	70319[^]	Warning Sticker - Counterbalance
25	TOD69770	Head Seal Assembly
26	TOD61403	Retainer - Head Seal
27	TOD61402	Head Seal
28	29929.1[^]	Top Panel
29	TOD29929.2-15X95.6	Intermediate Panel
30	TOD29929.3-15X95.6	Bottom Panel

Item	Part Number	Description
31	TOD51044PR	Cable Assembly - 110 in. LG. -100 in. Door Height
	TOD59004PR	Cable Assembly - 115 in. LG. -100 in. to 105 in. Door Height
	TOD59003PR	Cable Assembly - 130 in. LG. -105 in. to 120 in. Door Height
32	TOD61390	Side Seal - Pair
33	TOD89210-0023	Rivet - 23/32 in. LG.
34	TOD61401	Lift Handle
35	TOD69832	Pull Strap Retainer
36	TOD80844-1408	Pull Strap -30 in. Straight Standard
37	TOD69572	Keeper Assembly
38	TOD69571	Security Lock Assembly -Standard
	TOD70223	Security Lock Assembly -Offset Lever Arm
39	89210-0026[^]	Rivet - 13/16 in. LG.
40	TOD70093	Catch Box
41	TOD89210-0032	Rivet - 1 in. LG.
42	70318[^]	Warning Sticker - Safety Notice
43	69793[^]	Name Plate
44	TGD80401-316	Cotter Pin - 3/32 in. Diameter
45	TOD61204	Cable Anchor Bracket
46	TOD61026	Cable Anchor Pin
47	TOD70497	Bottom Seal
48	TOD70498	Bottom Angle
49	70493[^]	Bottom Fixture - Complete
50	TOD61174	Roller
51	TOD80020	Spacer Washer - Roller
52	80015-0032[^]	Step Bolt - 1/4 in. x 1 in.
53	TOD70514	End Hinge Assembly - Flush Mount
54	TOD70159	Center Hinge
55	TOD69432	Base - Adjustable Top Fixture
56	TOD69431	Slide - Adjustable Top Fixture
57	80302-2436[^]	Flat Washer - 3/8 in.
58	TOD89049	E-Lok Bolt - 3/8 in.
59	TOD59092-30	Filler Plug - 2-1/2 in. Inner Diameter Spring
60	89100-1[^]	Drive Rivet - 3/16 in. x 9/32 in. LG.
61	70496[^]	Panel Tongue Insert
62	TOD69433	Adjustable Top Fixture - Complete
63	TGD89231-3-OE	Hex Nut - 5/16 in.-18
64	70492[^]	Bottom Fixture Roller Cover
65	70491[^]	Bottom Fixture Base
66	TGD89231-2-OE	Hex Nut - 1/4 in.-20
67	70161[^]	Roller Hinge Cover - Flush Mount
68	70160[^]	End Hinge Assembly - Flush Mount

[^]Part included for reference only.

Todco PolarGuard® 1-1/8 in.

Model - Exploded View



DOR

OHD / Overhead Doors



Todco PolarGuard® 1-1/8 in.

Components

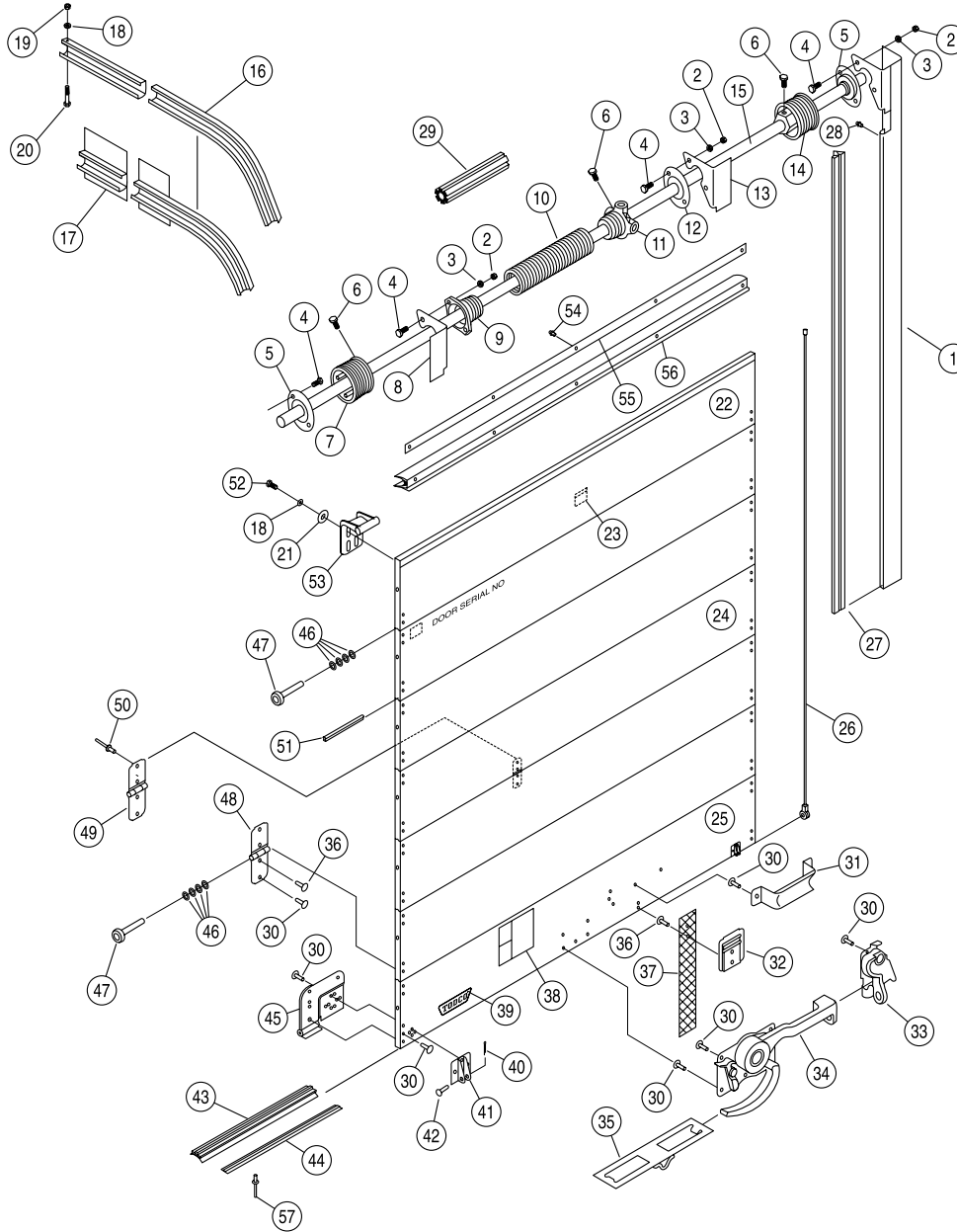
Item	Part Number	Description
1	TOD49593-111C	Vertical Track Assembly
2	TGD80352-518-OE	Hex Nut - 5/16 in.
3	TGD80322-319-OE	Lock Washer - 5/16 in.
4	89186-3[^]	Hex Head Bolt - 5/16 in. x 7/8 in.
5	TOD51038	Bearing Assembly
6	TOD80300-2414	Hex Head Set Screw - 3/8 in. x 7/8 in.
7	TOD59129-2	Cable Drum Roadside -105 in. Door Height
	TOD59157-4	Cable Drum Roadside -105 in. to 120 in. Door Height
8	TOD51036-2	Spring Anchor Bracket
9	TOD51043	Spring Anchor Plug -1-3/4 in. Inner Diameter Spring
	TOD59024	Spring Anchor Plug -2-1/2 in. Inner Diameter Spring
10	TOD51042	Spring - 1-3/4 in. Inner Diameter
	TOD59031.0262X65	Spring - 2-1/2 in. Inner Diameter
11	TOD59158	Spring Winding Plug -1-3/4 in. Inner Diameter Spring
	59159[^]	Spring Winding Plug -2-1/2 in. Inner Diameter Spring
12	TOD59083	Bearing Assembly Support Bracket
13	TOD51036-1	Support Bracket - Curbside
14	TOD59129-1	Cable Drum Curbside -105 in. Door Height
	TOD59157-3	Cable Drum Curbside -105 in. to 120 in. Door Height
15	TOD59290-98	Counterbalance Shaft
16	TOD49702-1300	Horizontal Track Set - 130 in.
17	80322-255[^]	Lock Washer - 1/4 in.
18	80352-420[^]	Hex Nut - 1/4 in.
19	80105-414[^]	Hex Head Bolt - 1/4 in. x 1-3/4 in.
20	TOD70083-1880	Top Cap
21	TOD69718X96	Head Seal - Panel Mounted
22	TOD29652-15	Top Panel with Top Cap
23	70319[^]	Warning Sticker - C/B
24	TOD29650-11X94.063	Intermediate Panel - 11 in.
	TOD29651	Intermediate Panel - 15 in.
25	TOD29640-11X96	Bottom Panel - 11 in.
	TOD29641115X89.25	Bottom Panel - 15 in.

Item	Part Number	Description
26	TOD51044PR	Cable Assembly - 110 in. Long -100 in. Door Height
	TOD59004PR	Cable Assembly - 115 in. Long -100 in. to 105 in. Door Height
	TOD59003PR	Cable Assembly - 130 in. Long -105 in. to 120 in. Door Height
27	TOD61390	Side Seal - Pair
28	89100-1[^]	Drive Rivet - 3/16 in. x 9/32 in.
29	TOD59092-30	Filler Plug -2-1/2 in. Inner Diameter Spring
30	TOD89291-0044	Rivet - 1-3/8 in. Stainless Steel
	TOD80015-0052	Step Bolt - 1/4 in. x 1-5/8 in.
31	TOD61401	Lift Handle
32	TOD69832	Pull Strap Retainer
33	TOD69572	Keeper Assembly
34	TOD69571	Security Lock - Standard
	TOD70223	Security Lock - Offset Lever Arm
35	TOD70093	Catch Box
36	89291-0048[^]	Rivet - 1-1/2 in.
37	TOD89291-0052	Rivet - 1-5/8 in.
38	70318[^]	Warning Sticker - Safety Notice
39	69793[^]	Name Plate
40	TOD80401-316	Cotter Pin - 3/32 in.
41	TOD61204	Cable Anchor Bracket
42	TOD61026	Cable Anchor Pin
43	TOD70084.3072	Bottom Seal
44	TOD69110.3072	Bottom Angle
45	TOD70082-2	Bottom Fixture - Roadside
	TOD70082-1	Bottom Fixture - Curbside
46	TOD80020	Space Washer - Roller
47	TOD69162	Roller - Sealed, 1 in. Stl
48	TOD69035	End Hinge
49	TOD61196	Center Hinge
50	TOD89113-1	Blind Rivet - 1/4 in. x 1/4 in. Grip
51	TOD69989	Joint Seal
52	TOD69432	Base - Adjustable Top Fixture
53	TOD69431	Slide - Adjustable Top Fixture
54	80302-2436[^]	Flat Washer - 3/8 in.
55	TOD89049	E-Lok Bolt - 3/8 in.
56	TOD80844-1408	Pull Strap - 44 in. Straight Standard

[^]Part included for reference only.

Todco PolarGuard® 2-1/2 in.

Model - Exploded View



DOR

OHD / Overhead Doors

TODCO



Todco PolarGuard® 2-1/2 in.

Components

Item	Part Number	Description
1	TOD49312-113C	Vertical Track Assembly
2	TGD80352-518-OE	Hex Nut - 5/16 in.
3	TGD80322-319-OE	Lock Washer - 5/16 in.
4	89186-3[^]	Hex Head Bolt - 5/16 in. x 7/8 in.
5	TOD51038	Bearing Assembly
6	TOD80300-2414	Hex Head Set Screw - 3/8 in. x 7/8 in.
7	TOD59129-2	Cable Drum Roadside -105 in. Door Height
	TOD59157-4	Cable Drum Roadside -105 in. to 102 in. Door Height
8	TOD51036-2	Spring Anchor Bracket
9	TOD51043	Spring Anchor Plug -1-3/4 in. Inner Diameter Spring
	TOD59024	Spring Anchor Plug -2-1/2 in. Inner Diameter Spring
10	TOD51042	Spring - 1-3/4 in. Inner Diameter
	59031[^]	Spring - 2-1/2 in. Inner Diameter
11	TOD59158	Spring Winding Plug -1-3/4 in. Inner Diameter Spring
	59159[^]	Spring Winding Plug -2-1/2 in. Inner Diameter Spring
12	TOD59083	Bearing Assembly Support Bracket
13	TOD51036-1	Support Bracket - Curbside
14	TOD59129-1	Cable Drum Curbside -105 in. Door Height
	TOD59157-3	Cable Drum Curbside -105 in. to 120 in. Door Height
15	TOD59290-98	Counterbalance Shaft
16	TOD49702-1300	Horizontal Track Set - Upper
17	TOD49101-1300	Horizontal Track Set - Lower
18	80322-255[^]	Lock Washer - 1/4 in.
19	80352-420[^]	Hex Nut - 1/4 in.
20	80105-414[^]	Hex Head Bolt - 1/4 in. x 1-3/4 in.
21	80302-1720[^]	Flat Washer - 1/4 in.
22	TOD29558.000	Top Panel with Top Cap
23	70318[^]	Warning Sticker
24	TOD29556.0000	Intermediate Panel - 12 in.
	TOD29557.0000	Intermediate Panel - 15 in.
25	29575-12[^]	Bottom Panel - 12 in.
	TOD29575-15	Bottom Panel - 15 in.

Item	Part Number	Description
26	TOD51044PR	Cable Assembly - 110 in. Long -100 in. Door Height
	TOD59004PR	Cable Assembly - 115 in. Long -100 in. to 105 in. Door Height
	TOD59003PR	Cable Assembly - 130 in. Long -105 in. to 120 in. Door Height
27	TOD61390	Side Seal - Pair
28	89100-1[^]	Drive Rivet - 3/16 in. x 9/32 in.
29	TOD59092-30	Filler Plug -2-1/2 in. Inner Diameter Spring
30	89210-0090[^]	Rivet - 2-13/16 in.
	TOD80015-0096	Step Bolt - 1/4 in. x 3 in.
31	TOD61401	Lift Handle
32	TOD69832	Pull Strap Retainer
33	TOD69572	Keeper Assembly
34	TOD69571	Security Lock Assembly - Standard
	TOD70223	Security Lock Assembly - Offset Lever Arm
35	TOD70093	Catch Box
36	TOD89210.0092	Rivet - 2-7/8 in.
37	TOD80844-1408	Pull Strap - 30 in. Straight Standard
38	70318[^]	Warning Sticker - Safety Notice
39	69793[^]	Name Plate
40	TGD80401-316	Cotter Pin - 3/32 in.
41	TOD59193	Cable Anchor Bracket
42	TOD61026	Cable Anchor Pin
43	TOD69987	Bottom Seal 97 in.
44	TOD69988	Bottom Seal Retainer 97 in.
45	TOD69986-2	Bottom Fixture - Roadside
	TOD69986-1	Bottom Fixture - Curbside
46	TOD80020	Space Washer - Roller
47	TOD69162	Roller - Sealed
48	TOD69035	End Hinge
49	TOD61196	Center Hinge
50	TOD89113-1	Blind Rivet - 1/4 in. x 1/4 in.
51	TOD69989	Joint Seal
52	80105-408[^]	Hex Head Bolt - 1/4 in. x 1 in.
53	TOD69265	Top Fixture
54	89100-2[^]	Drive Rivet - 3/16 in. x 15/32 in.
55	TOD61403	Retainer - Head Seal 96 in.
56	TOD70135-96	Head Seal 96 in.
57	TOD89271-1	Blind Rivet - 1/4 in. x 1 in.

[^]Part included for reference only.

Todco Overhead Doors & Panels

Wood Door Assemblies

	Size	Color	Additional
TOD99611-2	90 in. x 90 in.	Primer	Less Track & Operator
TOD99837-2	98 in. x 105 in.	Primer	Less Track & Operator

3/4 in. Aluminum Clad Panels

	Type	Size	Additional
TOD29020-12X98	Bottom	12 in. x 98 in.	Without Hardware
TOD29020-15X96	Bottom	15 in. x 96 in.	Without Hardware
TOD29020-15X98	Bottom	15 in. x 98 in.	Without Hardware

Wood Door Panels

	Section	Size	Color
TOD29014-11X98	Intermediate	3/4 in. x 11 in. x 98 in.	Primer
TOD29014-12X98	Intermediate	3/4 in. x 12 in. x 98 in.	Primer
TOD29014-15X98	Intermediate	3/4 in. x 15 in. x 98 in.	Primer
TOD29014-15X98PPW	Intermediate	3/4 in. x 15 in. x 98 in.	White
TOD29014-18X98	Intermediate	3/4 in. x 18 in. x 98 in.	White
TOD29018-15X98	Intermediate	3/4 in. x 15 in. x 98 in.	Aluminum
TOD29929-2-15X95.2	Intermediate	3/4 in. x 15 in. x 95-1/4 in.	White
TOD29016-1-11X98W	Bottom	3/4 in. x 11 in. x 98 in.	White
TOD29016-1-12X98	Bottom	3/4 in. x 12 in. x 98 in.	Primer
TOD29016-1-15X90	Bottom	3/4 in. x 15 in. x 90 in.	Primer
TOD29016-1-15X96	Bottom	3/4 in. x 15 in. x 96 in.	Primer
TOD29016-1-15X98	Bottom	3/4 in. x 15 in. x 98 in.	Primer
TOD29016-1-15X98W	Bottom	3/4 in. x 15 in. x 98 in.	White

Bottom Panels Includes: TOD61191 Bottom Angle
 TOD61401 Lift Handle
 TOD80844-30 Pull Strap
 TOD80840-XX Bottom Seal
 TOD61204 Cable Anchor Bracket

Todco Track

Horizontal Track - 1 in. Rollers

	Type	Size	Additional
TOD49101-1300	Set	130 in.	
TOD49513-1350	Set	135 in.	6 in. Radius
TOD49653-1300	Set	130 in.	6 in. & 10 in. Radius
TOD49702-1300	Set	130 in.	
TOD49721-1250	Set	125 in.	6 in. Radius
TOD49821-1400	Set	140 in.	
TOD49895-1404	Set	140-1/4 in.	6 in. Radius



DOR

OHD / Overhead Doors

TODCO

Todco Track

Vertical Track - 1 in. Rollers

	Type	Size
TOD49014-111C	Set	111-3/4 in.
TOD49312-113C	Set	113-3/4 in.
TOD49458-1110	Set	111 in.
TOD49499-104C	Set	104-3/4 in.
TOD49593-111C	Set	111-3/4 in.



(TOD49458-1110 Shown)

Todco Seals

**Header Seal
TOD61402**



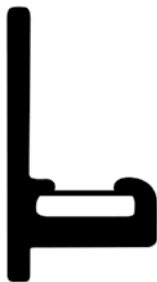
Length: 96 in.

**Header Seal
TOD69718X98**



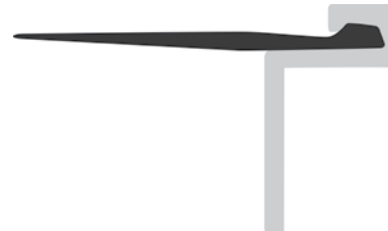
Length: 98 in.
Panel Mounted

**Header Seal Assembly
TOD69770**



Length: 96 in.

**Header Seal
TOD70001**



Length: 96 in.

**Header Seal
TOD70135-96**



Length: 96 in.

**Side Seal
TOD61390**



Length: 116 in.

DOR

OHD / Overhead Doors



Todco Seals

Side Seal
TOD69840



Length: 110 in.

Side Seal
TOD70131



Length: 110 in.

Push-In Side Seal
TOD70338



Vinyl (1/2 in. Track Spacing)
Length: 110 in.

Bottom Seal
TOD69987



For 2-1/2 in. PolarGuard®
Length: 97 in.

Bottom Seal
TOD70084.3072



For 1-1/8 in. PolarGuard®
Length: 96 in.

Bottom Seal
TOD80840-96



Length: 96 in.

Seal Retainer
TOD61403



Length: 96 in. For: 61402

Side Seal
TOD70232



Length: 109 in.

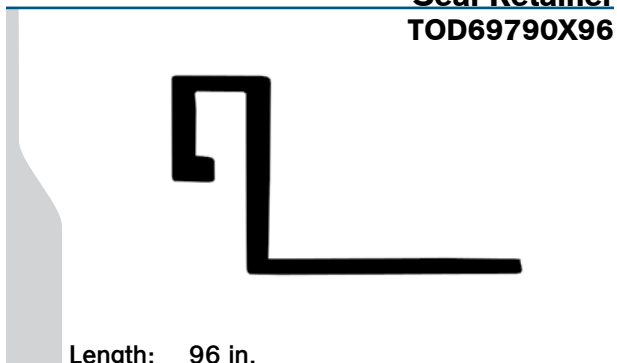
DOR

OHD / Overhead Doors

TODCO

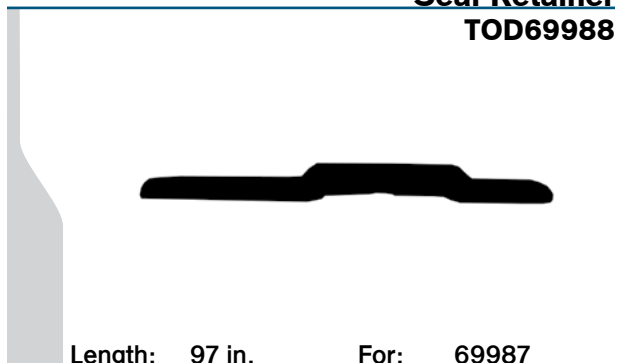
Todco Seals

**Seal Retainer
TOD69790X96**



Length: 96 in.

**Seal Retainer
TOD69988**



Length: 97 in. For: 69987

Todco Components

Cables

	Type	Eye	Length
TOD51044PR	SS	1/4 in.	110 in.
TOD20658810	Galv.	1/4 in.	110 in.
TOD59004PR	SS	1/4 in.	115 in.
TOD20658815	Galv.	1/4 in.	115 in.
TOD59003PR	SS	1/4 in.	130 in.
TOD20658813	Galv.	1/4 in.	130 in.



Operator Assemblies - Single Spring

	Spring	Rod	Door Height	Trailer Width	Additional
TOD59174	57-1/2 in.	96-1/2 in.	<105 in.	96 in.	Outside Cables, All Doors, Std. Drums
TOD59220.0357X98	57 in.	98 in.	105-120 in.	96 or 102 in.	Shallow Header, Wood & Clad Doors, Ext. Drums
TOD59230	-	96 in. - 98 in.	105-120 in.	96 in.	Ext. Drums, All Doors
TOD59292	57-1/2 in.	98 in.	<105 in.	102 in.	Std. Drums, All Doors
TOD59292-57X3X95.2	57 in.	95-1/2 in.			Counterbalance
TOD59209	57-1/2 in.	96 in.	<105 in.	96 or 102 in.	Shallow Header, Outside Cables, Wood & Clad Doors, Std. Drums



More Information

Lubrication

Make sure to lubricate the counterbalance, bearings, rollers, hinges, and locks liberally. Wipe dirt from the track. Climate conditions and door cleaning procedures will vary how often door maintenance must be performed. If your door is steam cleaned, lubrication will have to happen more often. Door equipment that is used in areas where road salt is presented, you will want to use a lock lubrication at closer intervals.

Todco Hardware

Universal Track & Operator Kit
DOR10-12



Radius: 6 in. Rollers: 1 in.
Length: 110 in. Type: Split Radius

Anchor Bracket
TOD61204



Anchor Pin
TOD61026



End Bearing
TOD51038



Support Bracket Bearing
TOD59083



Shallow Header Bearing
TOD59206



Bearing
TOD80701-2



Cable Drum

Location	
Curbside	TOD59129-1
Roadside	TOD59129-2



Aluminum
Type: Standard Up to 105 in. Door Height

DOR

OHD / Overhead Doors



Todco Hardware

Extended Cable Drum

Location
 Curbside **TOD59157-3**
 Roadside **TOD59157-4**



Aluminum
 Size: 3 in.
 For 105 - 120 in. Door Height

Bottom Fixture

TOD61352



Heavy Duty Bottom Fixture

Location
 Curbside **TOD69964-1**
 Roadside **TOD69964-2**



3/4 in. Dry Freight & WeatherTite™

Bottom Fixture

Location
 Curbside **TOD69986-1**
 Roadside **TOD69986-2**



2-1/2 in. PolarGuard®

Bottom Fixture

Location
 Curbside **TOD70082-1**
 Roadside **TOD70082-2**



1-1/8 in. PolarGuard®

End Hinge Cover

TOD70309



Black
 Type: Removeable Roller

End Hinges

	Finish	Type
TOD69035	Silver	Standard
TOD70311	Black	Removable Roller
TOD70236	Silver	Heavy Duty
TOD93494	Silver	Extended



(TOD69035)



(TOD70311)



(TOD70236)



(TOD93494)

DOR

OHD / Overhead Doors



Todco Hardware

Top Fixtures

	Type
TOD61355	Old Style, No Adjustment
TOD69265	2-1/2 in. PolarGuard®
TOD69431	Adj. Top Fixture Slide
TOD69432	Adj. Top Fixture Base
TOD69433	Adj. Top Fixture Assembly
TOD70438	Dual Roller



(TOD61355)



(TOD69265)



(TOD69431)



(TOD69432)



(TOD69433)



(TOD70438)

Center Hinge TOD61196



Heavy Duty Center Hinge TOD70238



DOR

OHD / Overhead Doors

TODCO

More Information

www.MyAuroraPlus.com

Need more information on a particular trailer? Log into www.MyAuroraPlus.com for Aurora's Graphical Bill of Material (GBOM). Easily point and click through visual elements of a trailer to drill down to an individual trailer component.

Todco Hardware

Pull Handle
TOD61401



Maximum Security Latch Keeper
TOD69572



Offset Latch Assembly
TOD70223



Latch Assembly
TOD69571



Floor Plate Catch
TOD70093



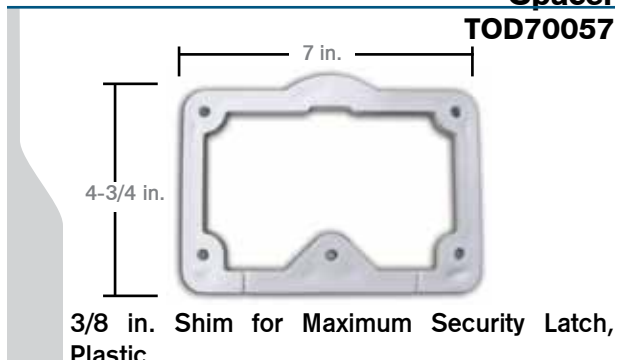
Safety Chain
TOD61229



Safety Chain Lock Assembly
TOD69020



Spacer
TOD70057



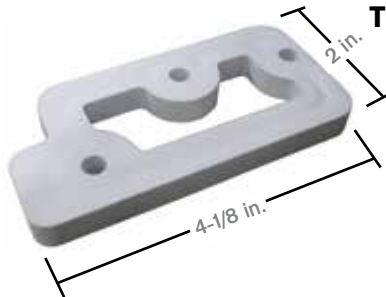
DOR

OHD / Overhead Doors



Todco Hardware

**Spacer
TOD70058**



3/8 in. Shim for Maximum Security Keeper, Plastic

Standard Bottom Angle

Length	
96 in.	TOD61191
90 in.	TOD61191-90



Rollers

	Size	Material	Shaft	Additional
TOD69162	1 in.	Steel	3-1/2 in.	Sealed, Domestic
TOD70305	1 in.	Steel	2-3/4 in.	Precision
TOD61174	1 in.	Steel	3-1/4 in.	Non-Sealed, Domestic
TOD69983	1 in.	Neoprene		
TOD70225	2 in.	Nylon	3-3/4 in.	
TOD70224	2 in.	Steel	3 in.	Stamped



Accessories

Roller Washer
TOD80020

Springs

Length	
57 in.	TOD51042
50-1/2 in.	TOD51065



Includes: Bolt Plug & Winding Plug

**Pull Strap Retainer
TOD69832**



Rivets

	Diameter	Length	Head	Type
TOD89210-0032	1/4 in.	1 in.	3/4 in.	Semi-Tubular
TOD89210-0036	1/4 in.	1-1/8 in.	3/4 in.	Semi-Tubular
TOD89210-0040	1/4 in.	1-1/4 in.	3/4 in.	Semi-Tubular
TOD89210-0044	1/4 in.	1-3/8 in.	3/4 in.	Semi-Tubular
TOD89210-0048	1/4 in.	1-1/2 in.	3/4 in.	Semi-Tubular



DOR

OHD / Overhead Doors

TODCO

Todco Hardware

Carriage Bolts

	Diameter	Length	Additional
TOD80015-0052	1/4 in.	1-5/8 in.	
TOD80015-0096	1/4 in.	3 in.	
TOD89029-0056	1/4 in.	-	SS
TOD89049	3/8 in.	1/2 in.	E-Lock, Top Fixture



Pull Straps

	Length
TOD80844-30	30 in.
TOD80844-38	38 in.
TOD80844-1408	44 in.



Color: Black



**LONGEST
LASTING
ROLL-UP
DOORS IN
THE INDUSTRY**

EXTRUDED ALUMINUM
ROLL-UP DOORS

LLV (LONG LIFE VEHICLE)

CITY CARGO™

FLEETSTAR™

LONG LASTING COMPONENTS



SUPERROLLER™

MAXIMUM
SECURITY LOCK

STAINLESS STEEL
CABLES

EVERWARE™
HARDWARE

FOR 60 YEARS TODCO HAS DESIGNED AND PRODUCED QUALITY LONG LASTING ROLL-UP DOORS THAT HAVE SURPASSED THE AVERAGE LIFE EXPECTANCY OF OTHER DOORS IN THE INDUSTRY.



MILES THAT MATTER

TODCO.COM | (740) 383-6376

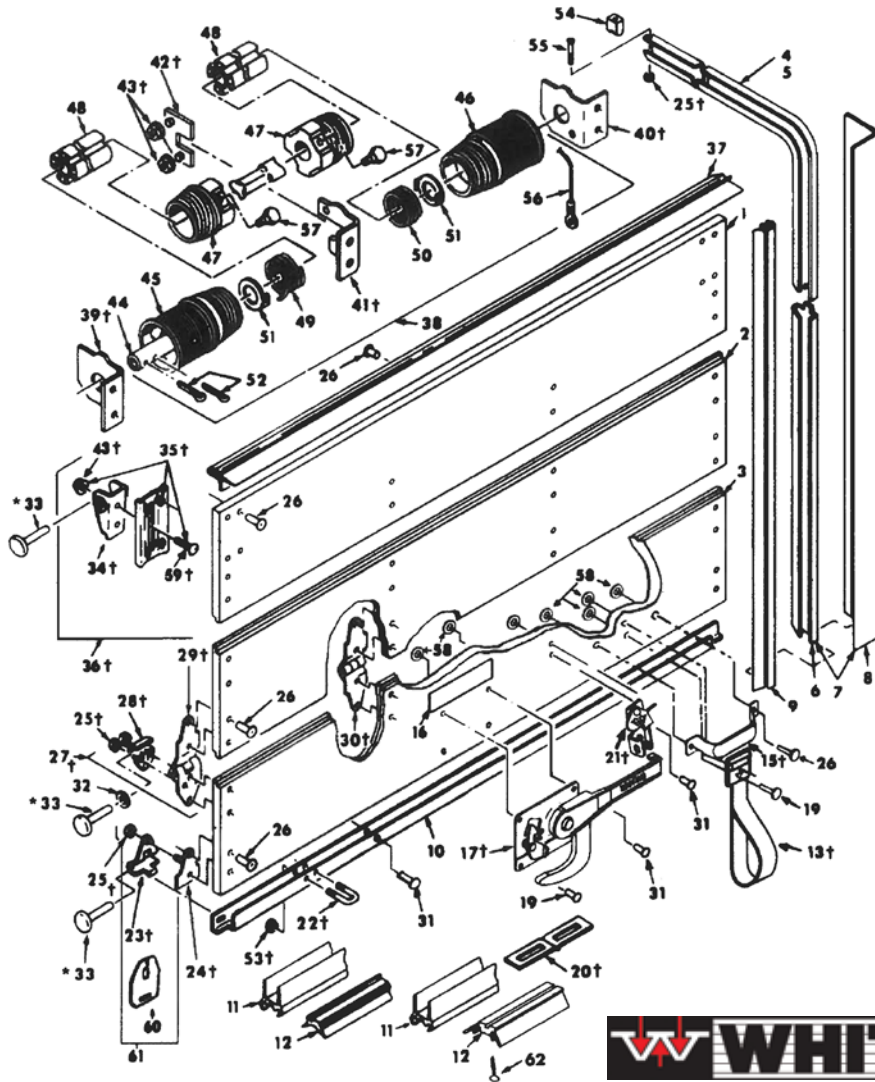
DOR

OHD / Overhead Doors



Whiting 3/4 in. Premium Dry Freight

Plastic or Aluminum Clad - Exploded View



DOR

OHD / Overhead Doors



Panels - Plastic Coated

Item	Part Number	Description
1	241-XXXXX [^]	Top Panel Complete - Plastic Ship Lap Joint *
1	WHI341-XXXXX	Top Panel Complete - Plastic T&G Joint *
2	WHI242-XXXXX	Intermediate Panel Comp. - Plastic - Ship Lap Joint *
2	WHI342-XXXXX	Intermediate Panel Comp. - Plastic - T&G Joint *
3	WHI248-XXXXX	Bottom Panel Complete w/Seal Plastic - Ship Lap Joint *
3	WHI348-XXXXX	Bottom Panel Complete w/Seal Plastic - T&G Joint *
3	WHI346-2-XXXXX	Bottom Panel Complete, Less Lock - Plastic - T&G Joint *

Panels - Aluminum

Item	Part Number	Description
1	251-XXXXX [^]	Top Panel Complete Aluminum - Ship Lap Joint *
1	351-XXXXX [^]	Top Panel Complete Aluminum - T&G Joint *
2	252-XXXXX [^]	Intermediate Panel Comp. Aluminum - Ship Lap Joint *
2	WHI352-XXXXX	Intermediate Panel Comp. Alum. - T&G Joint *
3	WHI258-XXXXX	Bottom Panel Complete w/Seal Aluminum - Ship Lap Joint *
3	WHI358-XXXXX	Bottom Panel Complete w/Seal Aluminum - T&G Joint *

[^]Part included for reference only.
^{*}Specify Length & Width
 T&G - Tongue & Groove

Whiting 3/4 in. Premium Dry Freight

Components

Item	Part Number	Description
4, 5	WHI11-XX	2 in. Horizontal Track (Specify Length, Radius, CS & RS)
6	WHI1031	2 in. Vertical Track CS/RS 110 in.
7	WHI2275-1	Vertical Track (86 in.) & Mounting Angle (100 in.) - Curbside
7	WHI2275-2	Vertical Track (86 in.) & Mounting Angle (100 in.) - Roadside
8	XX[^]	Mounting Angle (Specify Length & Size)
9	WHI5423	Side Seal, Vinyl, Drive in Style for 5/16 in. Track Spacing 114-3/4 in.
9	WHI5377-115	Side Seal, Vinyl, Drive in Style for 1/2 in. Track Spacing
10	WHI18-3	Bottom U Channel - 96 in. Stl
11	WHI1801-96	Bottom U Channel Seal Retainer - Aluminum 96 in.
11	WHI8280-2	Bottom U Channel Seal Retainer - Alum. - Fits 98 in.
12	WHI1676	Bottom Seal - For Use with 1801 Channel
12	WHI5735	Bottom Seal - For Use with 8280-2 Channel
13	WHI9723-XX	Pull Down Strap (Specify Length)
15	WHI1715	Grab Handle
16	3034[^]	"Do Not Move" Decal
17	WHI77	Lock Assembly, No Keeper
19	WHI10-1002-9	Rivet (1/4 x 1-5/16 in.) - 1/2 in. HD Coated Steel
19	10-1002-49[^]	Rivet (1/4 x 1-9/32 in.) - 1/2 in. HD SS
20	WHI2804	Latch Plate
21	WHI7515	Handle Keeper
22	WHI70-13	Cable Anchor - 1-1/4 U Bolt
23	WHI1021	Bottom Roller Shaft Cover
24	WHI1370	Bottom Roller Bracket Stud Plate
25	NUT-HNKU04	Keq Lock Nut - .25-20
26	WHI10-1002-3	Rivet (1/4 x 1 in.) - 3/4 in. HD Coated Steel
26	10-1002-23[^]	Rivet (1/4 x 1-1/32 in.) - 3/4 in. HD SS
27	WHI1209-1	Roller Hinge Complete w/Cover Clamp & Nuts

Item	Part Number	Description
28	WHI1208	Roller Hinge Cover Clamp
29	WHI1207	Roller Hinge
30	WHI15	Center Hinge
31	WHI10-1002-11	Rivet (1/4 x 1-1/8 in.) - 1/2 in. HD Coated Steel
31	WHI10-1002-45	Rivet (1/4 x 1-5/32 in.) - 1/2 in. HD SS
32	WHI6	Spacer Washer
33	WHI3228	2 in. Nylon Roller
33	WHI2996	2 in. Steel Roller
34	WHI6943	Top Closure Slide
35	WHI1264	Top Closure Base w/Nuts & Bolts
36	WHI6944	Top Closure Assy Complete
37	WHI4032W	Top Seal 98 in. - For 102 in. Trl Balancer Assy (Less #39-43, 52, 56) (Specify Wire Size, Spring Length & Shaft Length)
38	WHI2376-XX	
39	WHI2524	Balancer Bracket - Roadside
40	WHI2523	Balancer Bracket - Curbside
41	WHI2525	Balancer Bracket - Center
42	WHI2526	Balancer Bracket Clamp
43	WHI10-1063-1	Self Locking Nut (5/16-18)
44	WHI2528-XX	Balancer Shaft (Specify Length)
45	WHI2547	Cable Drum & Bearing Assy (2901) - Roadside
46	WHI2548	Cable Drum & Bearing Assy (2902) - Curbside
47	WHI2518	Winding Cone
48	2471[^]	Spring Spacer (Cut to Relaxed Spring Length + 4-1/4 in.)
49	WHI2704	Torsion Spring - Roadside .182 x 29 in.
50	WHI2705	Torsion Spring - Curbside .182 x 29 in.
51	WHI2522	Thrust Washer
52	WHI10-1009-8	Cotter Pin (3/16 x 1-1/2 in.)
53	10-1033-2[^]	Self Locking Nut (5/16-18)
54	WHI83	2 in. Track Stop Bumper
55	WHI10-1010-3	Bolt (1/4-20 x 2-1/2 in.)
56	WHI1-XX	1/8 in. SS Cable with 5/16 in. Eye (Specify Door Height)
57	WHI2699	Set Screw (3/8-16 x 5/8 in.)
58	10-1006-1[^]	Washer (1/4 x 3/4 in.)
59	WHI2370	Bolt (5/16 x 5/8 in.)
60	WHI5726	Wear Plate - for Doors with Bottom Seal
61	WHI1371-A	Complete Bottom Bracket w/ Cover
62	10-1068-1[^]	Drive Screw (13 x 3/4 in.) For Use with #5735 Seal

[^]Part included for reference only.
T&G - Tongue & Groove

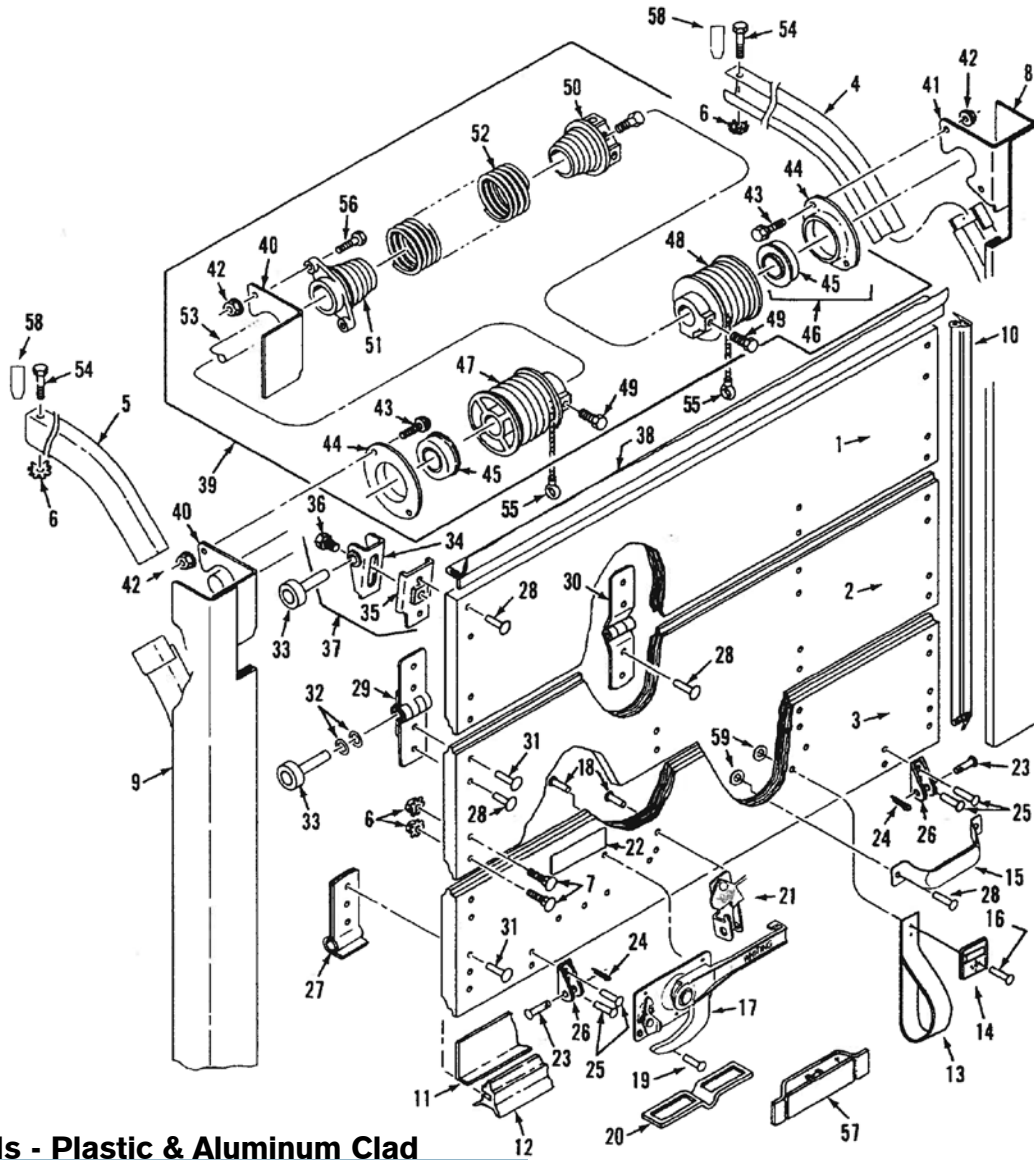
DOR

OHD / Overhead Doors

WHITING

Whiting 3/4 in. General Purpose Dry Freight

Plastic or Aluminum Clad - Exploded View



Panels - Plastic & Aluminum Clad

Item	Part Number	Description
1	WHI4441-XXX	Top Panel - Plastic - Complete*
1	4429[^]	Top Panel - Alum - Complete*
2	WHI4042-XXXXX	Intermediate Panel - Plastic - No Hardware*
2	4130[^]	Intermediate Panel - Alum - No Hardware*
3	WHI4445-XXXXX	Bottom Panel - Plastic - Complete*
3	4433[^]	Bottom Panel - Alum - Complete*
3	4043[^]	Bottom Panel - Plastic - Complete, Less Lock*



[^]Part included for reference only.
 *Specify Length & Width
 T&G - Tongue & Groove

DOR

OHD / Overhead Doors



Whiting 3/4 in. General Purpose Dry Freight

Components

Item	Part Number	Description
<- Panels Listed on Previous Page		
4	4053[^]	Horizontal Track - Curbside (Specify Length of Each)
5	4052[^]	Horizontal Track - Roadside (Specify Length of Each)
6	NUT-HNKU04	Keq Lock Nut 1/4 in. -20
7	BLT11-232	Step Bolt 1/4 in.-20 x 1-1/4 in. Splined
8	WHI4046	Vertical Track (1 in.), 107 in. Length, Curbside, with Mounting Angle
9	WHI4045	Vertical Track (1 in.), 107 in. Length, Roadside, with Mounting Angle
10	WHI4019-115	Side Seal - Long Legs (Specify Length)
11	4034[^]	Bottom Angle Seal Retainer - No Holes (Specify Length)
12	3257[^]	Bottom Seal (Specify Length)
13	WHI9723	Pull Strap 19 in. with #7575 Retainer
13	WHI9723-1	Pull Strap 32 in. with #7575 Retainer
13	WHI9723.42	Pull Strap 42 in. with #7575 Retainer
14	WHIT7575WHT	Pull Strap Retainer
15	WHI1715	Lift Handle
16	WHI10-1002-9	Rivet (1/4 x 1-5/16 x 1/2 in. HD) Coated Steel
17	WHI4077	Cam Lock, No Keeper
18	WHI10-1002-42	Rivet (1/4 x 1-1/16 x 3/4 in. HD) Coated Steel
19	WHI10-1002-11	Rivet (1/4 x 1-1/8 x 1/2 in. HD) Coated Steel
20	4021[^]	Latch Plate
21	WHI7515	Keeper Assembly
22	3034[^]	"Do Not Move" Decal
23	10-1004-2[^]	Cable Anchor Clevis Pin
24	10-1009-5[^]	Cotter Pin
25	WHI10-1002-9	Rivet (1/4 x 1-5/16 x 1/2 in. HD) Coated Steel
26	WHI4004	Cable Anchor Bracket
27	4003[^]	Bottom Roller Fixture
27	8813[^]	Bottom Roller Fixture 2pc. High Strength - Roadside
27	8814[^]	Bottom Roller Fixture 2pc. High Strength - Curbside
28	WHI10-1002-3	Rivet (1/4 x 1 x 3/4 in. HD) Coated Steel
28	WHI10-1002-23	Rivet (1/4 x 1-1/32 x 3/4 in. HD) SS
29	4007[^]	End Hinge
29	WHI8656	End Hinge - High Strength
30	4012[^]	Center Hinge

Item	Part Number	Description
30	WHI8654	Center Hinge - High Strength
31	WHI10-1002-36	Rivet (1/4 x 1-1/8 x 3/4 in. HD) Coated Steel
31	10-1002-43[^]	Rivet (1/4 x 1-3/32 x 3/4 in. HD) SS
32	WHI6	Spacer Washer - Roller
33	WHI4026	Roller - 1 in. Precision, Steel
33	4027[^]	Roller - 1 in. Stamped, Steel
34	4038[^]	Slide - Adj. Top Fixture
34	8652[^]	Slide - Adj. Top Fixture - High Strength
35	4051[^]	Base - Adj. Top Fixture
36	10-1073-2[^]	Bolt - Adj. Top Fixture
37	4039[^]	Adj. Top Fixture Assy - Comp.
38	WHI4032W	Top Seal 98 in., For 102 in. Trl
39	WHI4090-XXXX	Balancer Assy - Complete Less Mounting Brkts (Minus # 40, 46 & 55) (Specify Door Dim.)
40	WHI4028	Balancer Mtg Brkt - RS Center
41	4029[^]	Balancer Mtg Brkt - CS
42	WHI10-1063-1	Self-Locking Hex Nut 5/16 in. NC
43	10-1010-8[^]	Bolt - 5/16 in. NC x 5/8 in.
44	WHI4023	Bearing Retainer
45	WHI10-1025-4	Bearing
46	WHI4033	Bearing & Retainer Assy - 1 in. Ball Bearing
47	4014[^]	Cable Drum - 3 in. Dia. RS - Up to 105 in. Door
47	4128[^]	Cable Drum - 3 in. Dia. RS - Up to 144 in. Door
48	4013[^]	Cable Drum - 3 in. Dia. CS - Up to 105 in. Door
48	WHI4127	Cable Drum - 3 in. Dia. CS - Up to 144 in. Door
49	WHI2699	Hex Head Set Screw 3/8 NC x 7/8 in.
50	4050[^]	Spring Winding Plug - 1-3/4 in.
51	4025[^]	Spring Anchor Plug - 1-3/4 in.
52	WHI2701-XXXX	Torsion Spring 1-3/4 in. Dia. (Specify Size)
53	WHI3100-XX	Counterbalance Shaft (Specify Length)
54	10-1010-31[^]	Hex Head Bolt 1/4 NC x 2 in.
55	WHI4020-1	SS Cable Assy, 1/4 Eye, 115 in. - Up to 105 in. Door
56	10-1010-9[^]	Hex Head Bolt 5/16 NC x 1 in.
57	WHI4024	Catch Box
58	4204[^]	1 in. Track Stop Bumper
59	10-1006-1[^]	Washer

[^]Part included for reference only.
T&G - Tongue & Groove

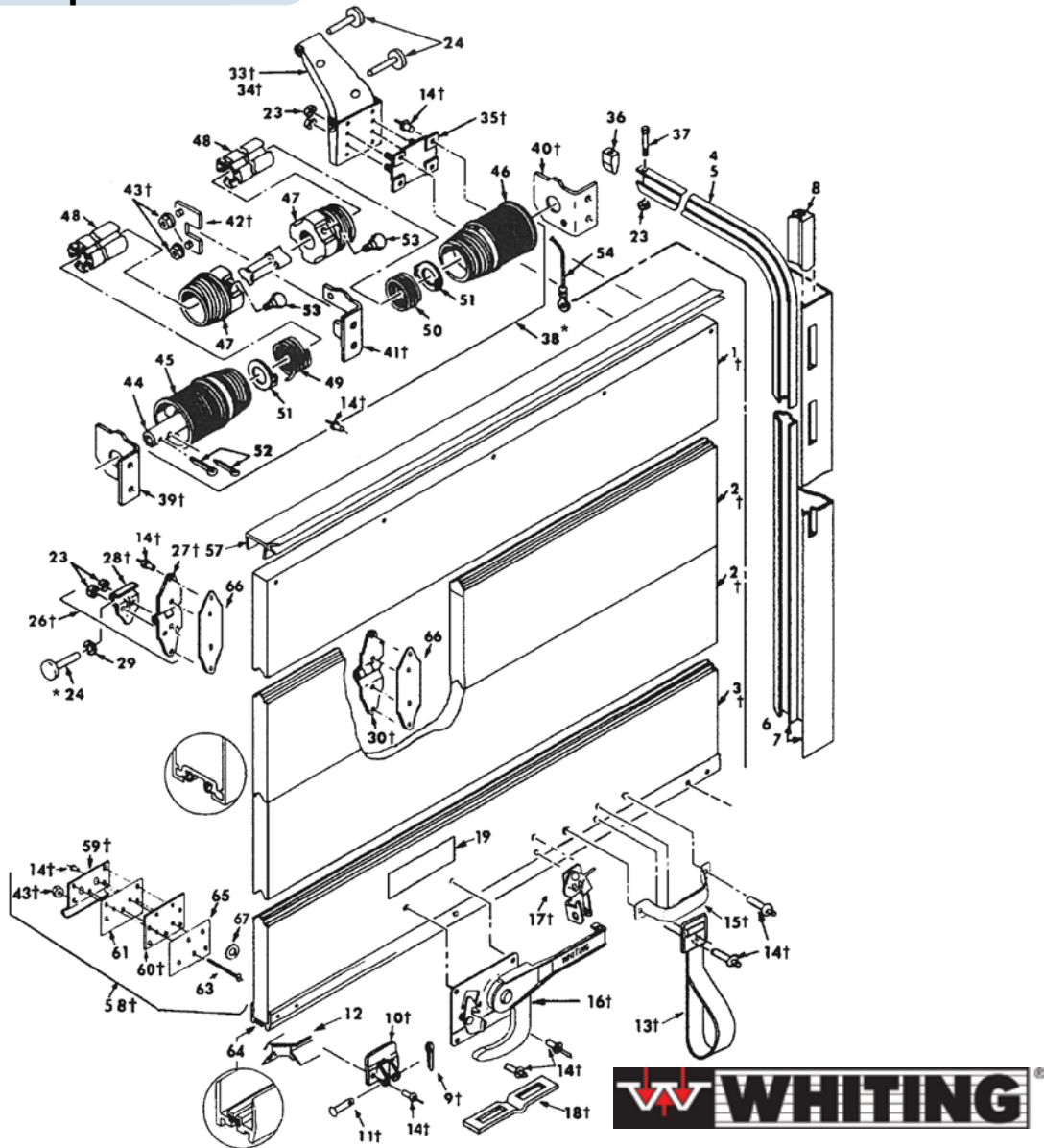
DOR

OHD / Overhead Doors

WHITING

Whiting 2-1/8 in. ColdSaver Door

Insulated - Exploded View



Panels

Item	Part Number	Description
1	WHI2239-1-X	Top Panel - Complete*
2	2236[^]	Intermediate Panel 12-1/2 in. Wide (Specify Length)
2	WHI2237-XXX	Intermediate Panel 13-1/2 in. Wide (Specify Length)
2	WHI2238-XXX	Intermediate Panel 14-1/2 in. Wide (Specify Length)

Item	Part Number	Description
3	WHI2232-1-XXX	Bottom Panel 13-1/2 in. Wide - Complete, with #77 Lock (Specify Length)
3	WHI2234-1-XXX	Bottom Panel 12-1/2 in. Wide - Complete, with #77 Lock (Specify Length)
3	WHI2235-1-XXX	Bottom Panel 14-1/2 in. Wide - Complete, with #77 Lock (Specify Length)

[^]Part included for reference only.
^{*}Specify Length & Width
 T&G - Tongue & Groove

DOR

OHD / Overhead Doors

WHITING

Whiting 2-1/8 in. ColdSaver Door

Components

Item	Part Number	Description
<- Panels Listed on Previous Page		
4	WHI11-2	Horizontal Track 2 in. - CS, 127 in. Length, 8 in. Radius
4	WHI11-4	Horizontal Track 2 in. - CS, 127 in. Length, 10 in. Radius
5	WHI11-3	Horizontal Track 2 in. - RS, 127 in. Length, 8 in. Radius
5	WHI11-5	Horizontal Track 2 in. - RS, 127 in. Length, 10 in. Radius
6	WHI2270-115	Vertical Track & Mtg Angle Assy - CS, 115 in.
7	WHI2271-115	Vertical Track & Mtg Angle Assy - RS, 115 in.
8	WHI7470-115	Side Seal Vinyl, 115 in.
8	WHI6589-100	Brush Side Seal (Specify Length)
9	WHI10-1009-7	Cotter Pin (1/8 in. x 3/4 in.)
9	10-1009-19[^]	Cotter Pin (1/8 in. x 3/4 in.) SS
10	WHI5803	Cable Anchor
11	WHI10-1004-1	Clevis Pin (5/16 in.-1)
11	10-1004-5[^]	Clevis Pin (5/16 in.-1) SS
12	WHI7145	Bottom Seal 96 in. - Snap in, For Alum Channel #7144
13	WHI9723-XX	Pull Down Strap Complete, with #7575 Retainer (Specify Door Height)
14	WHI10-1054-1	Rivet - 1/4 in. Pull Type, Steel
14	10-1054-15[^]	Rivet - 1/4 in. Pull Type, SS
15	WHI1715-10	Grab Handle
16	WHI77	Lock Assy - No Keeper
17	WHI7515	Handle Keeper
18	WHI2804	Latch Plate
19	3034[^]	"Do Not Move" Decal
23	NUTHNKU04	Kep Lock Nut 1/4 in.-20
23	10-1063-9[^]	Flange Lock Nut 1/4 in.-20 SS
24	WHI2996	2 in. Steel Roller
24	WHI3228	2 in. Nylon Roller
26	WHI1209-A	Roller Hinge Assy - Complete
27	WHI1207	Roller Hinge
28	WHI1208	Roller Hinge Cover Clamp
29	WHI6	Spacer Washer
30	WHI15	Center Hinge
33	WHI1336-1	Top Closure Bracket for 10 in. Radius - Curbside
33	WHI1336-3	Top Closure Bracket for 8 in. Radius - Curbside
34	WHI1336-2	Top Closure Bracket for 10 in. Radius - Roadside
34	WHI1336-4	Top Closure Bracket for 8 in. Radius - Roadside

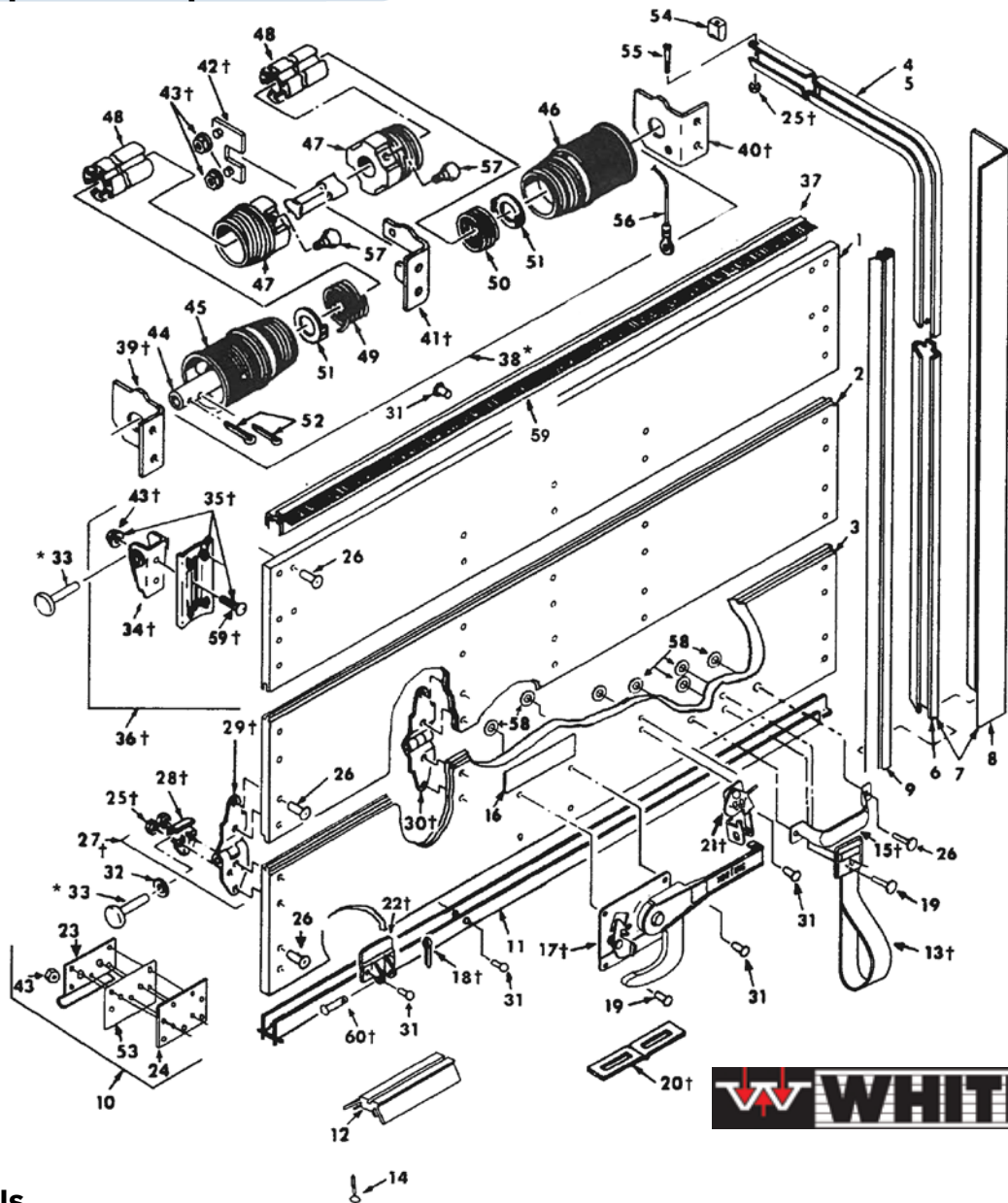
Item	Part Number	Description
35	WHI1920	Top Closure Mounting Bracket
36	WHI83	2 in. Track Stop Bumper
37	WHI10-1010-3	Bolt (1/4 in.-20 x 2-1/2 in.)
38	WHI2376-87	Balancer Assy (Less #39-43, 52) .182 x 29 in. Spring x 87 in. Shaft
39	WHI2524	Balancer Bracket - Roadside
40	WHI2523	Balancer Bracket - Curbside
41	WHI2525	Balancer Bracket - Center
42	WHI2526	Balancer Bracket Clamp
43	WHI10-1063-1	Self Locking Nut (5/16 in.-18)
43	10-1063-4[^]	Self Locking Nut (5/16 in.-18) SS
44	WHI2528-XXX	Balancer Shaft (Specify Length)
45	WHI2547	Cable Drum & Bearing Assy - Roadside
46	WHI2548	Cable Drum & Bearing Assy - Curbside
47	WHI2518	Winding Cone w/Set Screws
48	2471[^]	Spring Spacer (Cut to Relaxed Spring Length + 4-1/4 in.)
49	WHI2704	Torsion Spring - RS - .182 x 29 in.
50	WHI2705	Torsion Spring - CS - .182 x 29 in.
51	WHI2522	Thrust Washer
52	WHI10-1009-8	Cotter Pin (3/16 x 1-1/2 in.)
53	WHI2699	Set Screw (3/8 in.-16 x 5/8 in.)
54	WHI1-4	Door Cable, 130 in., SS, 5/16 in. Eye
57	WHI5464-96	Top Seal & Cap Vinyl, 96 in.
57	8331[^]	Top Brush Seal Assy (Specify Length)
58	WHI5600	Bottom Roller Brkt Assy (Less # 14, 43, 63 & 65)
59	WHI5502	Roller Clamp
60	WHI5509	Stud Plate
61	WHI5504	Wear Plate
63	10-1010-43[^]	Screw (5/16 in.-18 x 2-3/4 in.) SS
64	WHI7144	Bottom Channel, Snap in, Alum., 96 in.
65	WHI7952	Gasket
66	WHI7953	Gasket
67	10-1006-27[^]	Stainless Washer

[^]Part included for reference only.

*Specify Length & Width
T&G - Tongue & Groove

Whiting 1/2 in. PremiumPlate

Composite - Exploded View



Panels

Item	Part Number	Description
1	WHI16090-XX	Top Panel Complete (Specify Door Serial Number)
2	WHI16089-XX	Intermediate Panel (Specify Door Serial Number)
3	WHI16091-XX	Bottom Panel w/Bottom Seal & Bottom Roller Brackets (Specify Door Serial Number)
3	WHI16092-XX	Bottom Panel Complete Less Lock (Specify Door Serial Number)
3	WHI16093-XX	Bottom Panel Complete w/Lock (Specify Door Serial Number)

*Part included for reference only.
 *Specify Length & Width
 T&G - Tongue & Groove

DOR

OHD / Overhead Doors

WHITING

Whiting 1/2 in. PremiumPlate

Components

Item	Part Number	Description
<- Panels Listed on Previous Page		
4, 5	WHI11-XX	2 in. Horizontal Track (Specify Length, Radius & RS/CS)
6	WHI1031	2 in. Vertical Track CS/RS 110 in. Straight
7	WHI2275-1	Vertical Track & Mounting Angle Assy, Curbside, 100 in. Angle, 86 in. Track
7	WHI2275-2	Vertical Track & Mounting Angle Assy, Roadside, 100 in. Angle, 86 in. Track
8	XX[^]	Mounting Angle (Specify Length & Size)
9	WHI16124-XX	Side Seal, Vinyl, Drive In Style (Specify Length)
10	WHI5600	Complete Bottom Bracket
11	WHI16094-XX	Bottom Seal Retainer - Alum, Punched for Lock & #5803 Cable Anchors (Specify Length & Cable Spacing)
12	WHI5735	Bottom Seal 98-1/4 in.
13	WHI9723-XX	Pull Down Strap (Specify Length)
14	10-1068-1[^]	Drive Screw (13 x 3/4 in.)
15	WHI1715	Grab Handle
16	3034[^]	"Do Not Move" Decal
17	WHI77	Lock Assembly, No Keeper
18	WHI10-1009-7	Cotter Pin (1/8 in. x 3/4 in.)
19	WHI10-1002-68	Rivet (1/4 x 1-1/32 in.) - 1/2 in. HD, SS
20	WHI2804	Latch Plate
21	WHI7515	Handle Keeper
22	WHI5803	Cable Anchor
23	WHI5502	Bottom Roller Cover
24	WHI5509	Bottom Roller Brkt Stud Plate
25	NUTHNKU04	Kepl Lock Nut 1/4 in.-20
26	WHI10-1002-85	Rivet (1/4 x 13/16 in.) - 3/4 in. HD SS
27	WHI1209-A	Roller Hinge Assy - Complete
28	WHI1208	Roller Hinge Cover Clamp
29	WHI1207	Roller Hinge
30	WHI15	Center Hinge
31	WHI10-1002-84	Rivet (1/4 x 15/16 in.) - 1/2 in. HD SS
32	WHI6	Spacer Washer
33	WHI2996	2 in. Steel Roller
34	WHI6943	Top Closure Slide
35	WHI1264	Top Closure Base w/Nuts & Bolts
36	WHI6944	Top Closure Assy - Complete

Item	Part Number	Description
37	WHI16095-XXX	Top Seal, Alum Extrusion Only - Use with 7552 Seal (Specify Length)
38	WHI2376-XXXX	Balance Assy (Less #39-43, 52 & 56) (Specify Wire Size, Spring Length & Shaft Length)
39	WHI2524	Balancer Bracket - Roadside
40	WHI2523	Balancer Bracket - Curbside
41	WHI2525	Balancer Bracket - Center
42	WHI2526	Balancer Bracket Clamp
43	WHI10-1063-1	Self Locking Nut (5/16 in.-18)
44	WHI2528-XX	Balancer Shaft (Specify Length)
45	WHI2547	Cable Drum & Bearing Assy - Roadside
46	WHI2548	Cable Drum & Bearing Assy - Curbside
47	WHI2518	Winding Cone w/Set Screws
48	2471[^]	Spring Spacer (Cut to Relaxed Spring Length + 4-1/4 in.)
49	WHI2704	Torsion Spring - RS - .182 x 29 in. Spring
50	WHI2705	Torsion Spring - CS - .182 x 29 in. Spring
51	WHI2522	Thrust Washer
52	WHI10-1009-8	Cotter Pin (3/16 x 1-1/2 in.)
53	WHI5504	Wear Plate
54	WHI83	2 in. Track Stop Bumper
55	WHI10-1010-3	Bolt (1/4 in.-20 x 2-1/2 in.)
56	WHI1-XX	Door Cable, 1/8 in. SS with 5/16 in. Eye (Specify Door Height)
57	WHI2699	Set Screw (3/8 in.-16 x 5/8 in.)
58	WHI10-1006-9	SS Washer
59	7552[^]	Vinyl Top Seal Only - Use with 16095 Extrusion (Specify Length)
60	101004-1[^]	Clevis Pin (5/16 x 1 in.)

[^]Part included for reference only.

*Specify Length & Width
T&G - Tongue & Groove

DOR

OHD / Overhead Doors



Whiting Components

3/4 in. Door Panels - Tongue & Groove

	Section	Size	Color	Additional
WHI3421115416X9525	Intermediate	3/4 in. x 11 in. x 95-1/4 in.	White	With Handle
WHI342-11.5X98	Intermediate	3/4 in. x 11-1/2 in. x 98 in.	Primer	Tongue & Groove
WHI16089-5-95.25	Intermediate	3/4 in. x 15 in. x 95-1/4 in.	White	Complete
WHI342-15X98	Intermediate	3/4 in. x 15 in. x 98 in.	Primer	Tongue & Groove
WHI342-15X98PPW	Intermediate	3/4 in. x 15 in. x 98 in.	White	Tongue & Groove
WHI342-15.5X98	Intermediate	3/4 in. x 15-1/2 in. x 98 in.	Primer	Tongue & Groove
WHI346-11X96	Bottom	3/4 in. x 11 in. x 96 in.	Primer	Tongue & Groove
WHI3481541696PNTFE	Bottom	3/4 in. x 11-1/2 in. x 96-1/4 in.	White	Complete
WHI345-3-11.5X98	Bottom	3/4 in. x 11-1/2 in. x 98 in.	Primer	Tongue & Groove, With Seal
WHI2235-1-96	Bottom	3/4 in. x 14-1/2 in. x 96 in.		Complete
WHI345-3-15X98PRW	Bottom	3/4 in. x 15 in. x 98 in.	Primer	Tongue & Groove, With Seal
WHI15301-1	Bottom	3/4 in. x 16 in. x 99 in.	White	Tongue & Groove, Plastic

Horizontal Track

	Location	Size	Radius
WHI11-2	Curbside	2 in. x 127 in.	8 in.
WHI11-3	Roadside	2 in. x 127 in.	8 in.
WHI11-4	Curbside	2 in. x 127 in.	10 in.
WHI11-5	Roadside	2 in. x 127 in.	10 in.



Vertical Track

	Location	Size	Angle	Additional
WHI2275-1	Curbside	2 in. x 86 in.	100 in.	With Mounting Angle
WHI2275-2	Roadside	2 in. x 86 in.	100 in.	With Mounting Angle
WHI2275-110C	Curbside	2 in. x 96 in.	110 in.	With Mounting Angle
WHI2275-110R	Roadside	2 in. x 96 in.	110 in.	With Mounting Angle
WHI2270-115	Curbside	2 in. x 110 in.	115 in.	With Mounting Angle
WHI2271-115	Roadside	2 in. x 110 in.	115 in.	With Mounting Angle
WHI1031	Universal	2 in. x 110 in.		



(WHI1031 Shown)

DOR

OHD / Overhead Doors

WHITING

Whiting Components

Operator Assemblies

	Spring	Shaft
WHI2376-200X30X96	0.200 x 30 in.	96 in.
WHI2376-218-35	0.218 x 35 in.	98 in.
WHI2376-87	0.182 x 29 in.	87 in.
WHI2376-93	0.187 x 31 in.	93 in.
WHI2376-96	0.187 x 31 in.	96 in.
WHI7176-218X33X93	0.218 x 33 in.	93 in.
WHI7176-218X33X96	0.218 x 33 in.	96 in.
WHI7176-225X31X90	0.255 x 31 in.	90 in.
WHI7176-225X31X93	0.225 x 31 in.	93 in.
WHI7176-225-31-96	0.225 x 31 in.	96 in.



Door Cables

	Eye	Length	Color
WHI4020	1/4 in.	110 in.	
WHI1-7	5/16 in.	97 in.	
WHI20653818	5/16 in.	110 in.	
WHI20653821	5/16 in.	115 in.	
WHI1-11	5/16 in.	115 in.	
WHI1-1	5/16 in.	125 in.	White
WHI1-4	5/16 in.	130 in.	



Material: Stainless Steel

Cable Drum & Bearing

Additional	Location	
2901 Stamped	Roadside	WHI2547
2902 Stamped	Curbside	WHI2548



For 2376 Operator

Cable Drum

Location	
Curbside	WHI7096
Roadside	WHI7097



For 7176 Operator

DOR

OHD / Overhead Doors



Whiting Components

Cable Anchor
WHI5803



Finish: E-Coat

Center Operator Bracket
WHI2525



Center Bracket Clamp Assembly
WHI2526



Top Closure Bracket
Type

Curbside	WHI1336-1
Roadside	WHI1336-2



Top Closure Mounting Bracket
WHI1920



Top Closure Bracket
WHI6944



Top Closure Base
WHI1264



Includes: Nuts & Bolts

Top Close Slide
WHI6943



DOR

OHD / Overhead Doors



Whiting Components

Bottom Roller Bracket - E-Coated
WHI5600



For: ColdSaver
Location: Curbside & Roadside Assembly

Bottom Roller Bracket Assembly
WHI1371-A



Bottom Roller Shaft Cover
WHI1021



Wear Plate
WHI5504



Bottom Stud Plate
WHI1370



Center Hinge

Type	Part Number
Cargo Saver	WHI2915
-	WHI2915-1



Roller End Hinges

Part Number	Type
WHI8071	Roller End Hinge Assy, CargoSaver
WHI8071ASM	Roller End Hinge Assy (Assembled)
WHI8070	Roller End Hinge, CargoSaver, Stud Plate



(WHI8071)



(WHI8070)

DOR

OHD / Overhead Doors



Whiting Components

Roller End Hinges

	Type
WHI1209-1	Roller End Hinge
WHI1209-A	Roller End Hinge Assy
WHI1207	Roller End Hinge, Stud Plate
WHI1208	Hinge Cover for # 1207



(WHI1209-A)



(WHI1207)



(WHI1208)

Center Hinge

WHI15



Grab Handle

WHI1715



Handle Keeper

WHI7515



Outside Cam Latch

WHI77



For: **WHI77**

Uses WHI7515 Keeper

Offset Latch Assembly

WHI77-1



Outside Cam Lock, Uses WHI7515 Keeper

Keeper Handle

WHI7535-3



Color: **White**

DOR

OHD / Overhead Doors



Whiting Components

Lock Assembly Kit WHI3225



Type: #77
Inside Release Handle

Latch Plate WHI2804



Pull Strap Kit WHIPULLSTRAPKIT



Pull Strap & Retainer

Length	
19 in.	WHI9723
32 in.	WHI9723-1
42 in.	WHI9723.42



Color: Black

Torsion Springs

	Location	Size	Additional
WHI2704	Roadside	0.182 x 29 in.	Use with 2376 Balancer, 2-3/16 in. ID
WHI2705	Curbside	0.182 x 29 in.	Use with 2376 Balancer, 2-3/16 in. ID
WHI2704-187X31	Roadside	0.187 x 31 in.	
WHI2705-187X31	Curbside	0.187 x 31 in.	



Rollers

	Size	Material	Shaft
WHI2996	2 in.	Steel	3 in.
WHI2996-3	2 in.	Steel	5 in.
WHI3228	2 in.	Nylon	3-3/4 in.
WHI3228.5	2 in.	Nylon	5 in.



Accessories

Roller Washer
WHI6

Whiting Components

Semi Tubular Rivets

	Diameter	Length	Head
WHI10-1002-3	1/4 in.	1 in.	3/4 in.
WHI10-1002-42	1/4 in.	1-1/16 in.	3/4 in.
WHI10-1002-36	1/4 in.	1-1/8 in.	3/4 in.
WHI10-1002-4	1/4 in.	1-3/16 in.	3/4 in.
WHI10-1002-84	1/4 in.	1-15/16 in.	1/2 in.
WHI10-1002-85	1/4 in.	13/15 in.	3/4 in.



Step Bolts

Thread	Diameter	Length	
20	1/4 in.	1-3/8 in.	WHI10-1003-150
20	1/4 in.	1-1/2 in.	WHI10-1003-11
20	1/4 in.	1-3/4 in.	WHI10-1003-2

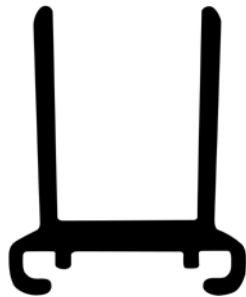


U-Bolts

Length	
1-3/4 in.	WHI70-19
1-1/4 in.	WHI70-13
1-1/2 in.	WHI70-5



Bottom U Channel WHI1675



Length: 96 in.

Bottom Seal WHI1676



Length: 96 in.

Bottom U Channel WHI1801-96



Material: Aluminum
Length: 96 in.

Bottom U Channel WHI8280-2



Material: Aluminum
Length: 96 in.

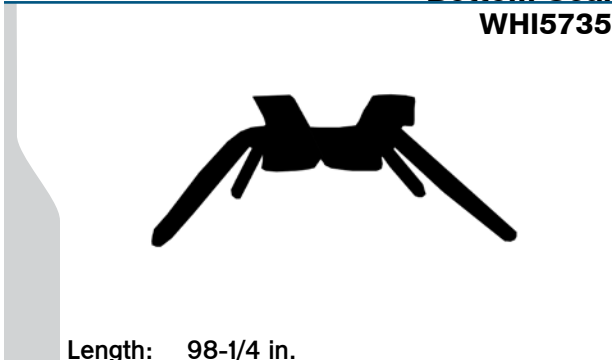
DOR

OHD / Overhead Doors

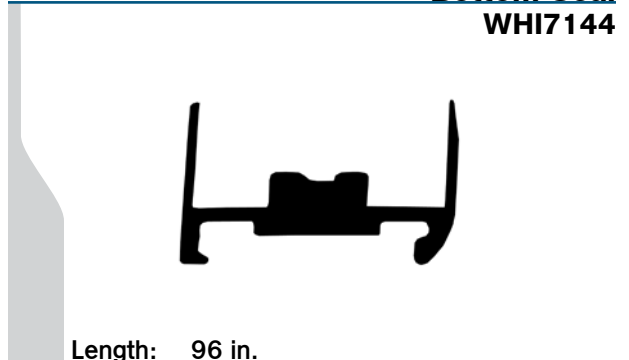
WHITING

Whiting Components

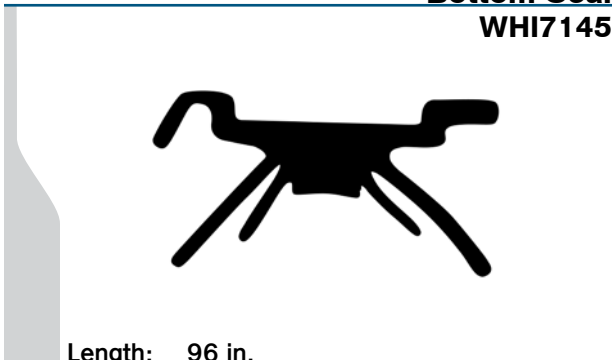
Bottom Seal
WHI5735



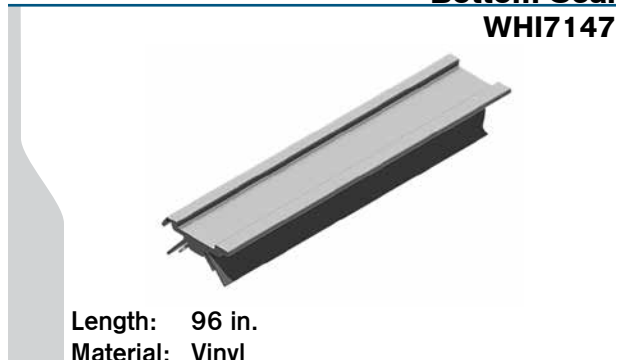
Bottom Seal
WHI7144



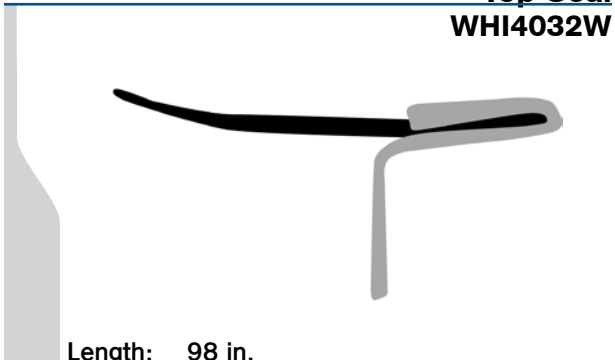
Bottom Seal
WHI7145



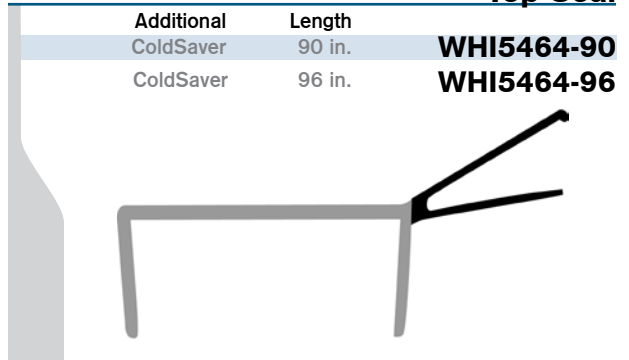
Bottom Seal
WHI7147



Top Seal
WHI4032W



Top Seal



Top Brush Seal
WHI5886-98



Side Seal
WHI3766



DOR

OHD / Overhead Doors



Whiting Components

Side Seal
WHI5377-115



Length: 115 in.

Side Seal

Length
114-3/4 in. **WHI5423**
120 in. **WHI5423-120**



Side Seal
WHI7131



Length: 104-1/4 in.

Side Seal
WHI7470-115



For: Insulated Door
Length: 115 in.

Spring
WHI10-1012-8



Diameter: 3 in.
Size: 0.480 Wire

Forklift Plate
WHI1092



Size: 18 in.

Knurled Pin
WHI33



DOR

OHD / Overhead Doors

WHITING

Transglobal Components

Vertical Track

Location	
Curbside	TGD49996-1-2
Roadside	TGD49996-2-2



Bearing Assembly

TGD51038



Operator Assemblies

	Type	Shaft	Additional
TGD2376-1	Dual Spring	87 in.	0.182 x 2-3/16 in. x 29 in.
TGD2376-2	Dual Spring	93 in.	0.187 x 2-3/16 in. x 31 in.
TGD59292	Single Spring	96 in.	0.243 x 1-3/4 in. x 57 in.



Cable Anchor Bracket

TGD4004



Color: Black

Cable Anchor Bracket

TGD61204



Material: Zinc

Bottom Stud Plate - Bottom Roller Bracket

TGD1371



Includes: Cover

Bottom Roller Shaft Cover

TGD1021



DOR

OHD / Overhead Doors

TRANSGLOBAL

Transglobal Components

Top Closure Base
TGD1264



Roller Clamp

Material
E-Coated **TGD5502-2.5**
Stainless Steel **TGD5502-2.5-SS**



(TGD5502-2.5)

Size: 2-1/2 in.

Bottom Bracket
TGD5600



Size: 4 in.

Bottom Fixture
TGD61352



Top Fixture
TGD69431



Slide Adjustable

Adjustable Top Fixture Complete
TGD69433



Top Closure Assembly
TGD6944



Top Closure Slide
TGD6943



DOR

OHD / Overhead Doors

TRANSGLOBAL

Transglobal Components

Roller Hinge Assemblies
TGD1209-A



Bottom Hinge Kit Saver Assembly
TGD5600-BSH-R



Center Hinge



Center Hinge
TGD61196



End Hinge
TGD69035



Arm Latch
TGD70093



Lock Keeper
TGD7515



Keeper Assembly
TGD69572



DOR

OHD / Overhead Doors

TRANSGLOBAL

Transglobal Components

**Security Lock Assembly
TGD4077**



Style: Whiting

**Maximum Security Lock Assembly
TGD69571**



Color: Black E-Coat

**Security Lock Assembly
TGD77**



Style: Whiting

**Pull Strap Retainer
TGD69832**



Material: Zinc

Rollers

	Size	Material	Shaft Length	Additional
TGD60000	1 in.	Nylon		Premium
TGD61174-6	1 in.		3-1/4 in.	Long Stem
TGD61174	1 in.	Steel	3-1/4 in.	
TGD70305	1 in.	Steel	2-3/4 in.	Precision Sealed
TGD2996	2 in.	Steel	3 in.	
TGD2996-6	2 in.	Steel	6 in.	
TGD2996-HD	2 in.	Steel	3 in.	Heavy Duty, Sealed
TGD3228	2 in.	Nylon	3-3/4 in.	
TGD3228-4	2 in.	Nylon	4 in.	



(TGD61174)



(TGD2996)



(TGD2996-6)



(TGD3228)

DOR

OHD / Overhead Doors

TRANSGLOBAL

Transglobal Components

Lift Handle
TGD1715



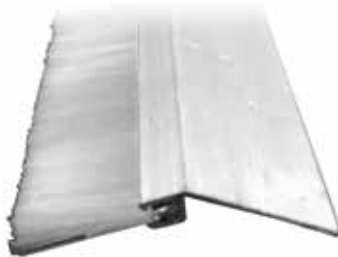
Color: Black

Lift Handle
TGD61401



Color: Zinc

Brush Side Seal
TGD70231-PPW

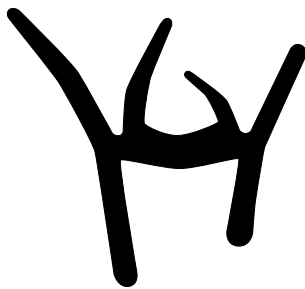


White Brush

Brush Side Seal
TGD70231-110



Bottom Seal
TGD75004-5



Door Cable
TGD912514-1B



Material: Stainless Steel
Length: 125 in.

Track Clip

	Type
TGD49819-A1	Horizontal Track
TGD49819-A1-01	Lower
TGD49819-A1-02	Upper



(TGD49819-A1)



(TGD49819-A1-01)



(TGD49819-A1-02)

DOR

OHD / Overhead Doors

TRANSGLOBAL

Fleet Engineer Components

Panel

	Section	Size	Additional
FLT026-94355	Bottom	15-1/2 in. x 96 in.	W-Style, With Seal & Retainer

Operator Assembly

	Spring	Shaft
FLT027-24200	0.243 x 36 in.	96 in.

Spline

	Size
FLT026-40306	1/2 in.

Door Cable

Eye	Length	
5/16 in.	125 in.	FLT1-1W
5/16 in.	130 in.	FLT1-4W



Material: 7 x 19 Galvanized

Cable Anchor Bracket

FLT025-10300



Style: Todco

Rollers

	Size	Material	Shaft	Additional
FLT025-10100	1 in.	Steel	3-1/4 in.	T-Style
FLT025-10105	1 in.	Steel	3-1/4 in.	T-Style
FLT025-10102	2 in.	Steel	3 in.	
FLT025-10113	2 in.	Steel	6-1/2 in.	



(FLT025-10100)



(FLT025-10105)



(FLT025-10102)



(FLT025-10113)

DOR

OHD / Overhead Doors

FLEET ENGINEERS

DISCOVER FOR YOURSELF THE QUALITY OF FLEET ENGINEERS' PRODUCT SOLUTIONS



- **Aerodynamic Solutions**
- **Spray Control**
- **Door Systems**
- **Parts & Accessories**

CONTACT US TODAY TO LEARN MORE
FLEETENGINEERS.COM

**FLEET
ENGINEERS**
A DIVISION OF TRAMEC SLOAN

Fleet Engineer Components

Center Hinge
FLT025-10050



End Hinge
FLT025-10001



End Hinge Assembly
FLT025-10002



Center Hinge
FLT025E10051



Top Fixture
FLT025-10200



Bottom Fixture
FLT025-10250



Lock Assembly
FLT025-10501



Lock Outside Cam Lock
FLT025-10577



DOR

OHD / Overhead Doors

FLEET ENGINEERS

OHD

420

800.621.7949

= Key Items

www.AuroraParts.com

Fleet Engineer Components

Belly Box Latch Assembly
FLT024-03040



Material: Stainless Steel

Keeper
FLT025-10502



For: Recessed 1" Roller Doors

Handle Keeper
FLT025-10578



Style: Whiting Color: Black
For: Flush Mount 2" Roller Doors

Miscellaneous Components

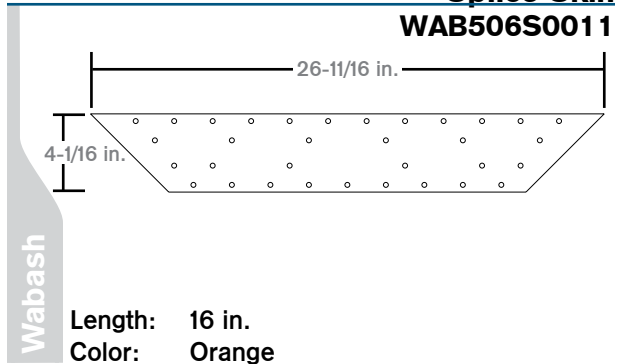
Track Protector



Roll-Up Door Pull Strap
KIN1524



Splice Skin
WAB506S0011



FLEET ENGINEERS

DOR

OHD / Overhead Doors



Composite Doors

1/2 in. DuraPlate® - Seal Included (Less Lockrods & Hinges)

	Location	Width	Height	Finish
WAB06100003	Roadside	48-1/2 in.	109-3/4 in.	White
WAB06100001	Curbside			
WAB06100056	Roadside	48-7/16 in.	110-3/4 in.	Schneider Orange
WAB06100055	Curbside			

Composite Door Blanks

DuraPlate® (No Seal)

	Depth	Width	Height	Finish
DOR6-10	1/2 in.	49 in.	110-1/2 in.	White
DOR6-13	1/2 in.	49 in.	121 in.	White
DOR6-16	10 mm.	49 in.	110-1/2 in.	White

Plymetal Door Blanks

	Thickness	Width	Height	Outside Finish	Inside Finish
DOR2-1	1/2 in.	49 in.	121 in.	0.015 in. White Aluminum	0.015 in. Mill Aluminum
DOR3-1	3/4 in.	43 in.	80 in.	White	Galvanized
DOR3-10	3/4 in.	49 in.	110-1/2 in.	0.015 in. White Aluminum	0.015 in. Mill Aluminum
DOR3-20 Import	3/4 in.	49 in.	110-1/2 in.	0.015 in. White Aluminum	0.015 in. Mill Aluminum
DOR3-31	3/4 in.	49 in.	110-1/2 in.	0.015 in. White Aluminum	24 ga. Galvanized Steel
DOR3-13	3/4 in.	49 in.	121 in.	0.015 in. White Aluminum	0.015 in. Mill Aluminum
DOR3-17	3/4 in.	49 in.	144 in.	0.015 in. White Aluminum	0.015 in. Mill Aluminum
DOR5-8	1-1/4 in.	49 in.	110-1/2 in.	26 ga. White Galvanized Steel	26 ga. Galvanized Steel

3/4 in. Universal OSB Door Blanks

	Width	Height	Outside Finish / Inside Finish
DOR3-12	49 in.	121 in.	Mirror Stainless / Mill Alum

More Information

Accessories

Corner tabs are mounted to door blanks to protect the corner of the panel.

Part Number	Description
DOR1-13	outside corner tab
DOR1-14	inside corner tab
DOR1-15	flexible corner tab

DOR

Swing Doors



NUDO®

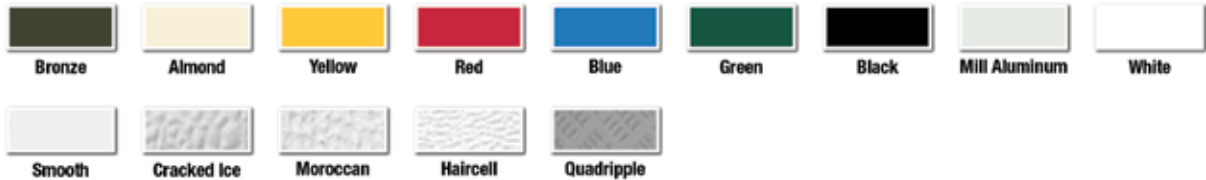
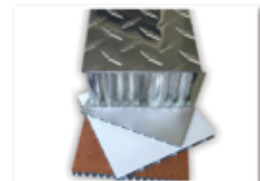
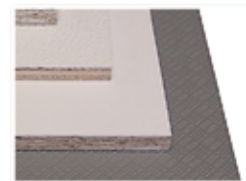
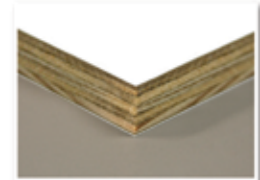
Laminated Panels With A Purpose

HIGH PERFORMANCE DOOR & FLOORING PANELS



Swing Doors

	Description
PlyMetal™ Swing Door	Plywood core sandwiched between an exterior aluminum finish and an interior mill aluminum finish
PlyMetal™ Plus Swing Door	Plywood core sandwiched between an exterior aluminum finish and an interior high-density polyethylene finish
OSBMetal™ Swing Door	Oriented strand board core sandwiched between an exterior aluminum finish and an interior mill aluminum finish
OSBMetal™ Plus Swing Door	Oriented strand board core sandwiched between an exterior aluminum finish and an interior high-density polyethylene finish



Floor Options

	Description	Substrate
NuComb-A™	Lightweight aluminum honeycomb panel	Aluminum Honeycomb
NuPoly® QuadFloor	HDPE laminated to various substrates	Plywood or OSB

Standard Sizes

49" x 110.5" 49" x 121"

Nominal Thickness Plywood

.500" .750" 1.000" 1.250"

NUDO®
A VERZATEC COMPANY

1500 Taylor Avenue
Springfield, IL 62703
www.nudo.com

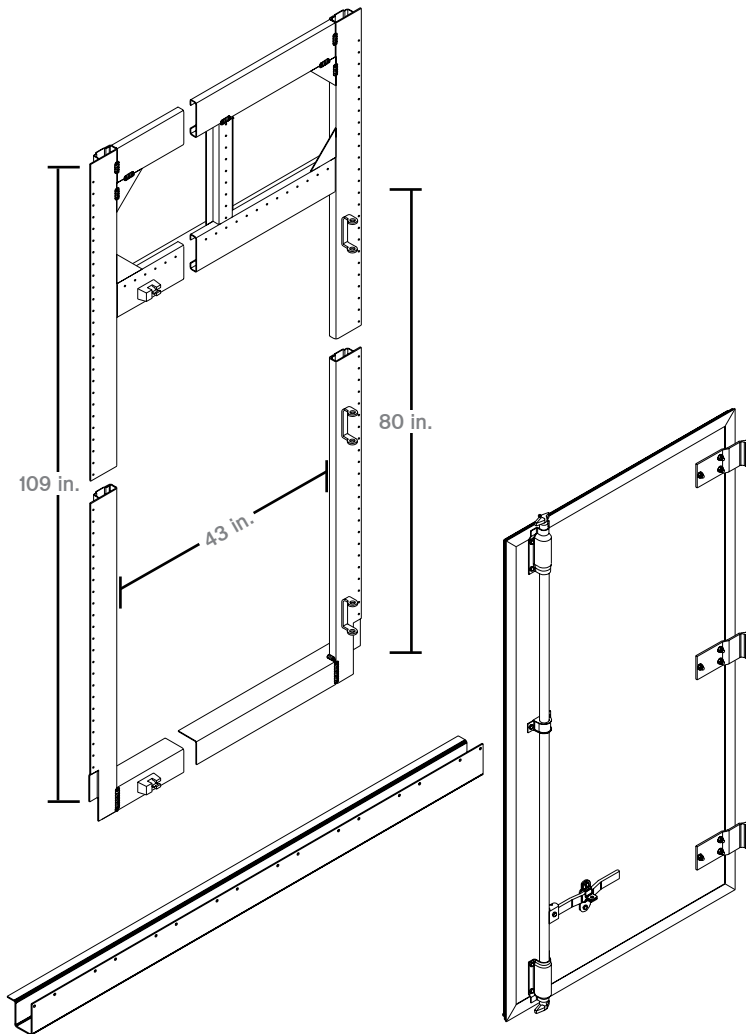
Ph: 800.826.4132
Fax: 217.528.8722
U.S.A. or Canada

Wabash Side Door Kits

Sheet & Post Trailers - Smooth Aluminum

DOR

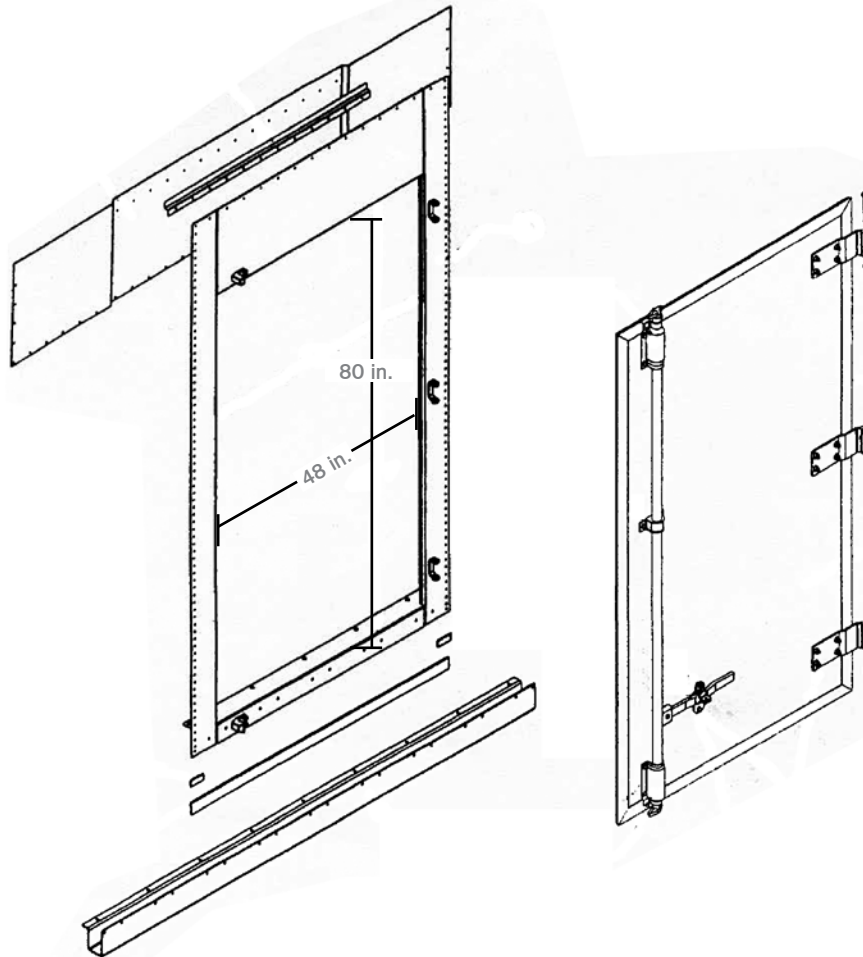
Swing Door



Part Number	Item	Includes
WAB21104380	Side Door Kit, Universal, 43 in. x 80 in.	DOR3-1 & WAB06500856
DOR3-1	Door Blank, 3/4 in. x 43 in. x 80 in., Galvanized, White	With Balloon Gasket
WAB06500856	Side Door Frame, 54-1/4 in. x 113 in. (109 in. Opening), Less Door	Hardware Shipped Loose

Wabash Side Door Kits

DuraPlate[®] Trailers



DOR

Swing Door



Part Number	Item	Includes
WAB06500928	Side Door Kit, Universal, 48 in. x 88 in.	06100425 & 06500926
06100425[^]	Side Door, 1/2 in. x 48 in. x 88 in., White with Gasket	
06500926[^]	Side Frame Assembly	

[^]Part included for reference only.

Wabash 1st Generation Reefer Door



Components

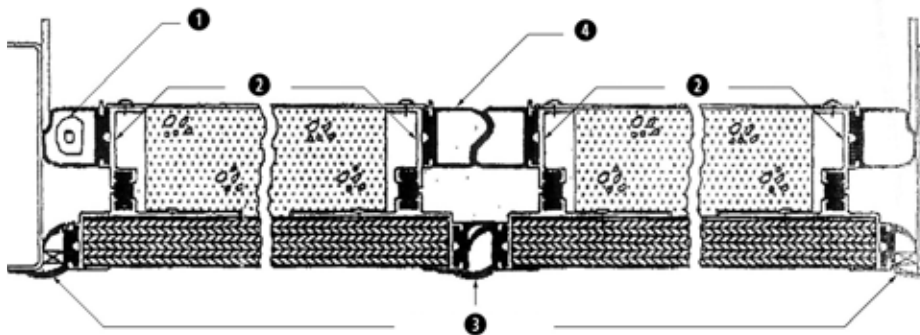
Item	Part Number	Description
1	PNL2-6	Outer Cover, 0.05 in. x 49 in. x 110 in. White, Aluminum
	PNL7-1	Outer Cover, 22 ga. x 48 in. x 112 in. Stainless Steel, 301 Bright Annealed
	PNL-UN01	Door Overlay, 0.021 in. x 48-3/4 in. x 110-1/2 in. Quilted SS, 2-3/4 in. Pattern
2	WABV0281680	Rear Door Seal, 1/2 in. x 14 ft.
3	E0801200[^]	Outer Seal Retainer
4	E0731200[^]	Inner Seal Retainer
5	E0721200[^]	Reefer Door Jam
6	WAB06300330	Inner Door Seal
7	NEC6340	Door Gasket, Neoprene
8	KEMAFS90X48X10	Inner Liner, 0.090 in. x 48 in. x 120 in.
9	WDS4-5	Plywood, 1/2 in. x 48 in. x 96 in.



[^]Part included for reference only.

NOTE: 1st & 2nd Generation Assemblies are obsolete. Parts listed are for reference only. Replace with 3rd Generation Door.

Wabash 2nd Generation Reefer Door



Components

Item	Part Number	Description
1	NEC6340	Door Gasket, Neoprene
2	6602071[^]	Seal Retainer
	NEC6927771	
4	NEC6583771	Inner Door Trim



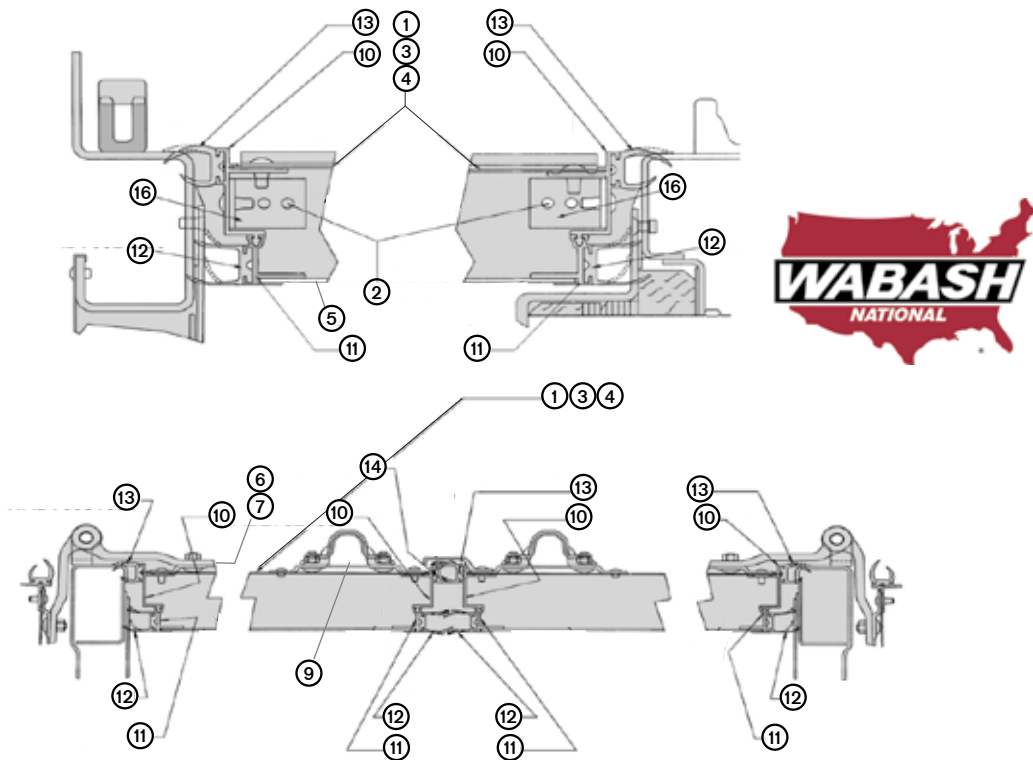
NOTE: 1st & 2nd Generation Assemblies are obsolete. Parts listed are for reference only. Replace with 3rd Generation Door.

DOR

Swing Door



Wabash 3rd Generation Reefer Door



Components

Item	Part Number	Description
1	PNL-UN01	Door Overlay, 0.021 in. x 48-3/4 in. x 110-1/2 in., Quilted SS, 2-3/4 in. Pattern
2	HUKMGLP-B6-4	Huck Fastener, 3/16 in., .062-.270, Aluminum
3	PNL2-6	Outer Cover, 0.05 in. x 49 in. x 110 in., White, Aluminum
4	PNL7-1	Outer Cover, 22 ga. x 48 in. x 112 in., Stainless Steel Mirror
5	KEMAFS90X48X10	Inner Liner, 0.090 in. x 48 in. x 120 in.
6	WAB06A00876	4 Hinge Channel, 10 ft.
7	WAB06A00877	5 Hinge Channel, 10 ft.
9	WABE4881200	Lockrod Channel, 10 ft. unpunched
10	WABE7521680	Outer Seal Retainer, 14 ft.
11	WABV0011680	Inner Seal Retainer, 14 ft. CS/RS
12	WABV0021680	Inner Seal, 14 ft. CS/RS
13	WABV0031680	Outer Seal, 14 ft. CS/RS
14	WABV0041200	Outer Seal, 120 in. RS
15	WABV0121680	Inner Seal (New Style), 14 ft. Balloon
16	WAB06A00840	Angle Bracket

More Information

Wabash 3rd Generation Doors

Hinges

The standard hinge on the TempDoor, WAB06301272 (used with the mounting channels), was implemented in June 1997. Any reefer pre-June 1997 used hinge WAB06300291.

1st & 2nd Generation Replacement

When replacing the Wabash 1st or 2nd Generation door with the 3rd Generation door, hinge butts may have to be moved and/or a piece of angle iron may need to be welded to the threshold so doors shut tightly. Both sides should be replaced at the same time.

Wabash 3rd Generation Reefer Door

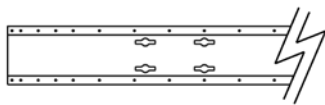
Panels & Liners

	Description
PNL-UN01	Door Overlay, 0.021 in. x 48-3/4 in. x 110-1/2 in., Quilted SS, 2-3/4 in. Pattern
PNL2-6	Outer Cover, 0.05 in. x 49 in. x 110 in., White, Aluminum
PNL7-1	Outer Cover, 22 ga. x 48 in. x 112 in., Stainless Steel
KEMAFS90X48X10	Inner Liner, 0.090 in. x 48 in. x 120 in.

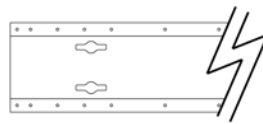


Channels

	Description
WAB06A00876	4 Hinge Channel, 10 ft.
WAB06A00877	5 Hinge Channel, 10 ft.
WABE4881200	Lockrod Channel, 10 ft. unpunched



(WAB06A00876)



(WAB06A00877)



(WABE4881200)

Seals & Retainers

	Description	Upgrade Version
WABV0021680	Inner Seal, 14 ft. CS/RS	
WABV0121680	Inner Seal (New Style), 14 ft. Balloon	WABV1081680
WABV0031680	Outer Seal, 14 ft. CS/RS	WABV1061680
WABV1071200	Outer Seal, 120 in. RS	
WABV0011680	Inner Seal Retainer, 14 ft. CS/RS	
WABE7521680	Outer Seal Retainer, 14 ft.	



(WABV0021680)



(WABV0121680)



(WABV0031680)



(WABV1081680)



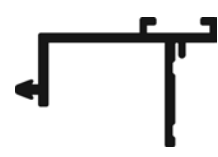
(WABV1061680)



(WABV1071200)



(WABV0011680)



(WABE7521680)

DOR

Swing Door

CRANE Composites

CRANE



Corner Repair

DuraDoor Corner Kit
WAB50600021



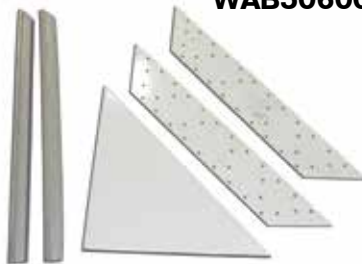
Length: 12 in.
Color: White

DuraDoor Corner Kit
WAB50600026



Length: 16 in.
Color: Orange

DuraDoor Corner Kit
WAB506000070



Length: 16 in.
Color: White
For: 3/8 in. Doors

1/2 in. DuraPlate® Repair Kits

Color	
White	WAB50600030
Orange	WAB50600031



Length: 12 in.

1/2 in. DuraPlate® Repair Kits

Color	
White	WAB50600032
Orange	WAB50600033



Length: 16 in.

3/4 in. Plymetal Repair Kit

Includes	Size	
	12 in. x 12 in.	SWD-UN04
Dual Durometer Trim	12 in. x 12 in.	SWD-UN03
	16 in. x 16 in.	SWD-UN02



Color: White

Quick Reference

Corner Tab Adhesive

Part Number	Description	Amount
WHIML2001	SEA-LOK	4 oz.



DOR

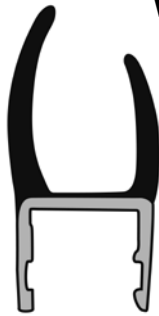
Swing Door Hardware



Seals / Gaskets / Seal Retainers

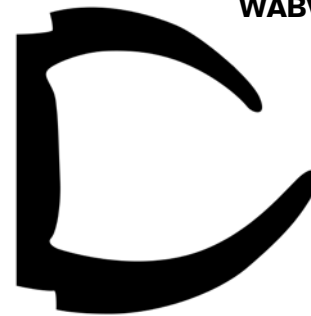
For 1/2 in. DuraPlate®

DuraPlate® Rear Door Seal
WABV0281680



Size: 1/2 in. x 168 in.

Duro Single DuraPlate® Rear Door Seal
WABV0311680

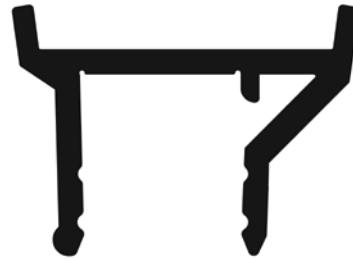


DuraPlate® Rear Door Seal
WABV0291160



Size: 1/2 in. x 116 in.

DuraPlate® Extrusion Retainer
WABE7411680



Length: 168 in.

DuraPlate® Seal Retainer
WABE7611680



Length: 168 in.

For 10 mm. DuraPlate®

DuraPlate® Door Gasket
WABV1111646



Size: 10 mm

DOR

Swing Door Hardware



Seals / Gaskets / Seal Retainers

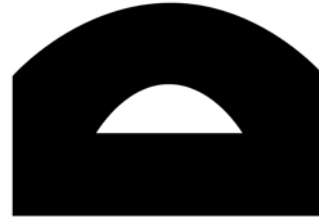
For 3/4 in. Plymetal

Door Gasket
NEC6237-871



Tru-Sealer Style
Size: 3/4 in. x 168 in.

Compression Seal
NEC6340



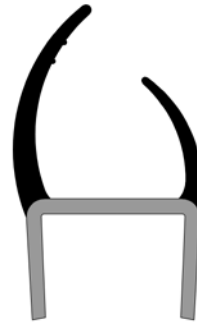
Material: Neoprene

Inner Door Trim - Reefer
NEC6583771



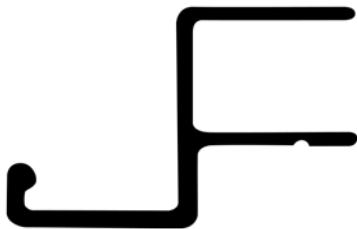
Wabash 2nd Generation
Length: 168 in.

Conventional Gasket
DOR99-4



Size: 3/4 in. x 168 in.

Offset Compression Retainer
NEC6349



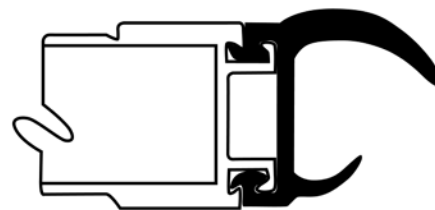
Length: 168 in.

Straight Compression Retainer
NEC6350



Tru-Sealer
Length: 180 in.

Tru-Sealer Trim & Seal Assembly
NEC6203-6237



Size: 3/4 in. x 168 in.

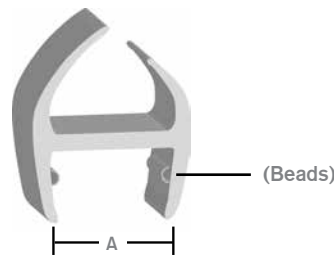
DOR

Swing Door Hardware

Seals / Gaskets / Seal Retainers

Dual Durometer Seals

	Type	A	Door Thickness	Length	Additional
DOR1-2	Premium	9/16 in.	1/2 in.	168 in.	Light Gray, With Top Ridges, Low Beads
DOR1-4	Economy			168 in.	Light Gray, No Top Ridges, Low Beads
DOR1-5	Premium			108 in.	
DOR1-6	Premium			168 in.	Light Gray, With Top Ridges, Low Beads
DOR1-6A	Fleet Loc	13/16 in.	3/4 in.	168 in.	Gray, With Top Ridges, High Beads
DOR1-7	Standard			168 in.	Gray, With Top Ridges, High Beads
DORGSKTJBH				168 in.	Light Gray, With Top Ridges, No Beads, Cross Ref - Whiting# 58R-12-14
DOR1-8	Economy	1-1/16 in.	1 in.	168 in.	
DOR1-9	Standard			168 in.	
DOR1-10	Economy	1-5/16 in.	1-1/4 in.	168 in.	
DOR1-11	Standard			168 in.	
DOR1-12	Standard	1-9/16 in.	1-1/2 in.	168 in.	



DOR

Swing Door Hardware



Great Dane Style

DOT-GD01

Cross Ref: Great Dane# 45985

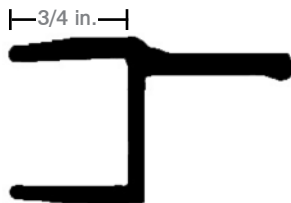


Size: 3/4 in.

Aluminum Channel

DOT-GD03

Cross Ref: Great Dane# 95583

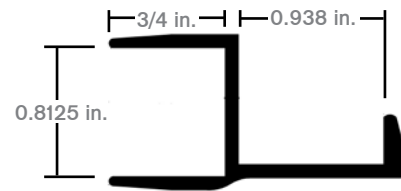


Material: Aluminum
Size: 3/4 in. x 168 in.

Aluminum Channel

DOT-GD02

Cross Ref: Great Dane# 95573



Material: Aluminum
Size: 3/4 in. x 168 in. With Lip

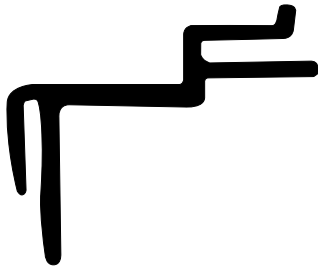
GDA61303203



Seals / Gaskets / Seal Retainers

Great Dane Style

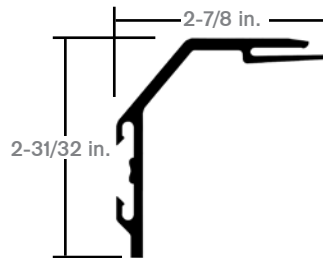
Gasket Holder
GDA61318700X110.00



Material: Plastic

Hyundai Style

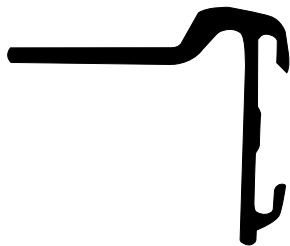
PVC Inner Door Frame
DOT-HY01



Material: Plastic
Length: 112 in.

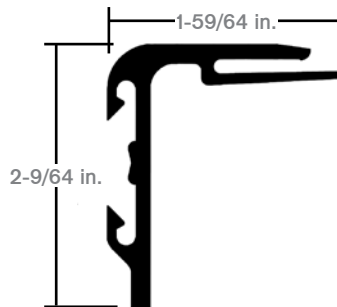
Hyundai Style

Inner Vertical
DOT-HY06



Material: PVC
Length: 108-3/16 in.

Inner Door Frame
DOT-HY33



Length: 106-1/2 in.

Trailmobile Style

Compression Door Seal
DOT-TM02

Cross Ref: Trailmobile# 90-4-1962-0-120



Material: Rubber
Length: 120 in.

DOR

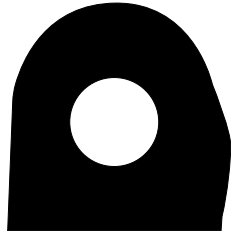
Swing Door Hardware



Seals / Gaskets / Seal Retainers

Wabash

WAB06301444



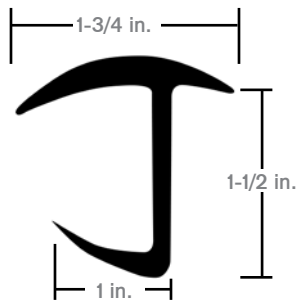
Material: Rubber
Length: Sold per Foot

Rear Panel
WABV0701120



Miscellaneous

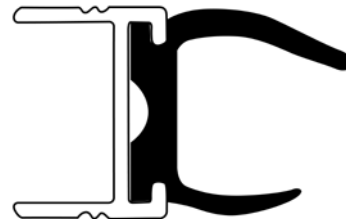
J-Type Door Gasket
BUF1404-2287



Honeycomb / New Cell

Type
Seal **NEC6927771**

Seal & Trim Assembly **NEC6927771ASSY**



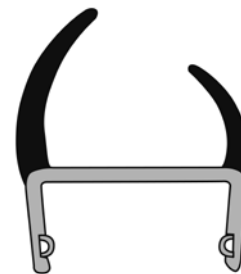
Size: 3/4 in. x 168 in.

Quick Repair Door Seal

DOR1-17

- 1 in. Door Trim for 3/4 in. Doors
- No Need to Remove the Door - Make Repairs While Door is Still on Trailer
- No Need to Remove Aluminum Trim - Prevents Door From Swelling
- Labor Time for Complete Set of Doors Reduced Significantly
- 2 Sticks per Complete Door

Size: 1 in. x 168 in.
For: 3/4 in. Door



DOR

Swing Door Hardware



Corner Tabs

Outside Corner Tab

Color
Gray **DOR1-13**
Black **DOR1-13B**



Length: 3-1/8 in.

Inside Corner Tab

DOR1-14



Color: Gray
Length: 2-9/16 in.

Flexible Corner Tab

DOR1-15



Color: Gray
Length: 3-5/8 in.

Corner Door Seal

Size
1/2 in. **NRS527250**
3/4 in. **NRS527278**



Chain Snaps

Chain

BUF1402-6856



Chain

FLT021-00050



Assembly

FLT021-00051



Approx Length: 7-1/2 in.

Attach Link

FLT021-00053



Material: Zinc Plated
Size: 1 in.

DOR

Swing Door Hardware



FLEET ENGINEERS

Chain Snaps

**Attach Link
IMXGT-1304**

Cross Ref: Wabash# 06300117



Material: Galvanized

4 Link

FRU525461



Material: Galvanized
Includes: Dog Snap

3 Link

FRUDCF3585-2



With Open Loop

Chain Style

FRUDCF5927-2



**Chain & Bracket
HLD-TM02**

Cross Ref: Trailmobile# 700-515-141



**Chain & Bracket
HLD-UT01**

Cross Ref: Utility# 03-4150-0-012



Material: Steel

IMXGT-1305

Cross Ref: Wabash# 06300118



Large Chain Loop

IMXGT-1313

Cross Ref: Wabash# 06302523



Material: Galvanized
Size: 4 in.

DOR

Swing Door Hardware

FRUEHAUF

proFIT

Chain Snaps

Snap

IMXGT-1314

Cross Ref: Wabash# 06300058



Material: Galvanized
Size: 1/2 in.

Holdback Loop

IMXGT-1317

Cross Ref: Wabash# 06302613



Material: Galvanized

Holdback Loop

IMXGT-1323



Size: 6 in.

Lash Door Holdback Set

LAS-02W-S-SET-0208



Material: Stainless Steel

Chain & Bracket

SWH-HY03

Cross Ref: Hyundai# 10001435



Holdback Kit

WAB06300270



WAB06302201



Retrofit

DOR

Swing Door Hardware



Footman Loops

EBH9611



Material: Cast
Length: 4-1/2 in.

**Anchor Handle
FLT021-00043**



Material: Steel
Length: 3-1/8 in.

**Loop Handle
FLT022-00628**



Material: Galvanized Steel
Length: 4-1/4 in.

IMXGT-1300

Cross Ref: Wabash# A1300017



Material: Galvanized
Length: 3-1/2 in.

IMXGT-1324

Cross Ref: Fleet Engineers# 022-00628



Length: 5 in.

DOR

Swing Door Hardware

FLEET ENGINEERS

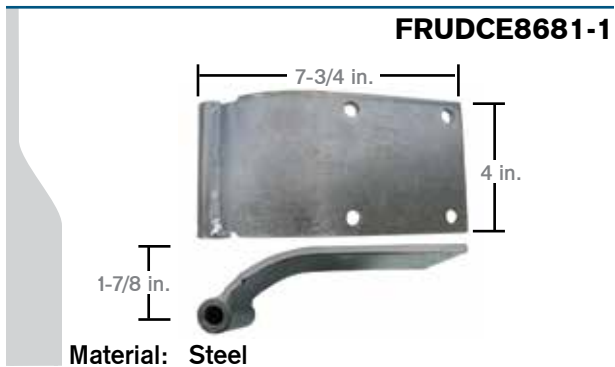
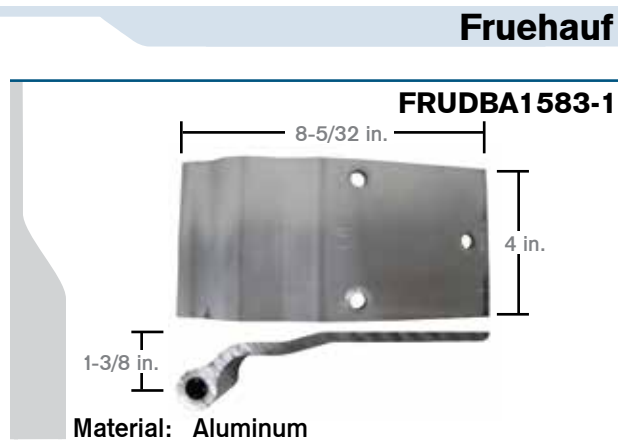
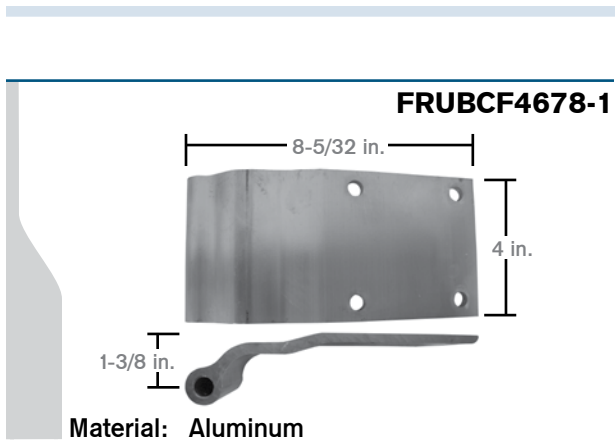
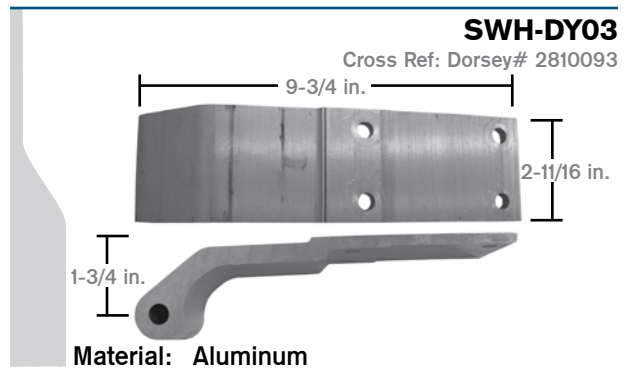
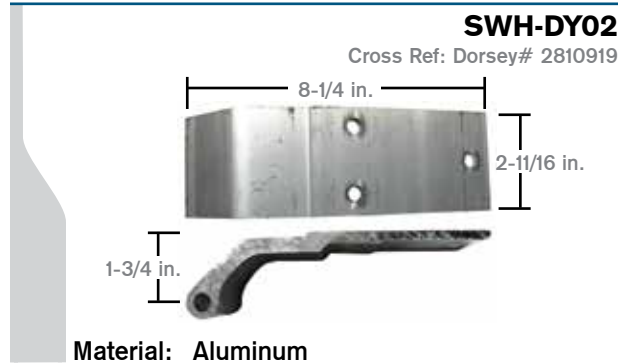
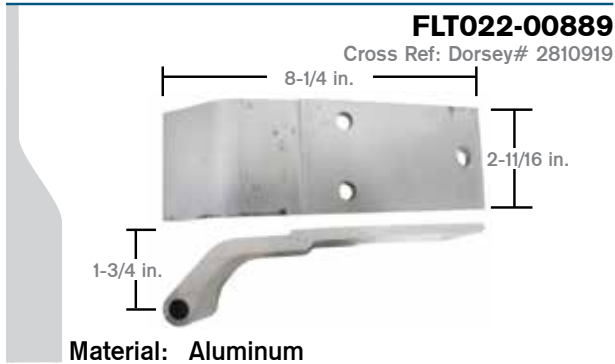
More Information

Powerbrace Hinge / Hinge Butt Finishes

Part Number Ends With:	Finish
1	Steel/Plain
5	Hot-Dip Galvanized
7	Stainless Steel

Hinges

Dorsey Style



FLEET ENGINEERS

DOR

Swing Door Hardware

PRO-FIT

FUEHAUF

Hinges

Great Dane Style

SWH-GD01

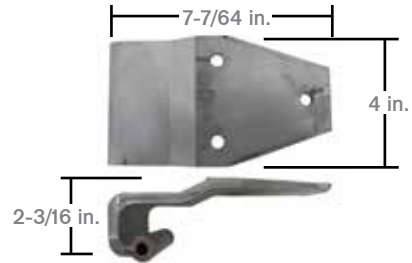
Cross Ref: Great Dane# 31801018
8-3/8 in.



Material: Aluminum

SWH-GD03

Cross Ref: Great Dane# 42500813



Material: Aluminum

SWH-GD04

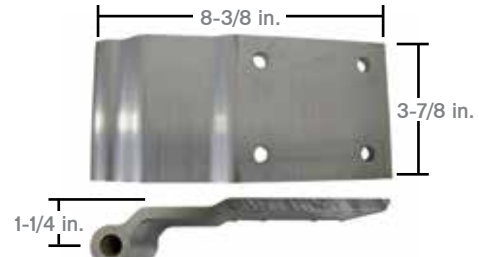
Cross Ref: Great Dane# 08138



Material: Aluminum

SWH-GD05

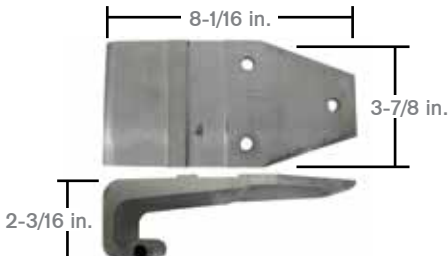
Cross Ref: Great Dane# 31800904



Material: Aluminum

SWH-GD06

Cross Ref: Great Dane# 08206



Material: Aluminum

SWH-GD07

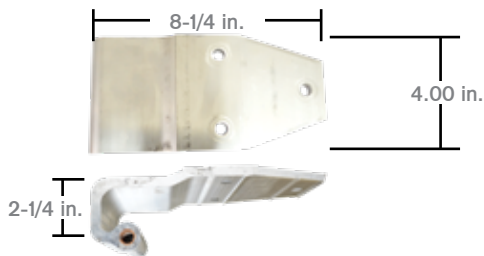
Cross Ref: Great Dane# 15152



Material: Aluminum

SWH-GD13

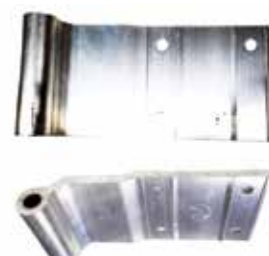
Cross Ref: Great Dane# 31806105



Material: Aluminum

SWH-GD15

Cross Ref: Great Dane# 31802236



DOR

Swing Door Hardware



Hinges

Great Dane Style

SWH-GD17

Cross Ref: Great Dane# RAL5411
7-15/16 in.



Material: Aluminum

Hyundai Style

FLT023-01657

Cross Ref: Hyundai# 20003977



Material: Aluminum

Hyundai Style

SWH-HY01

Cross Ref: Hyundai# 10009668



Material: Aluminum

Accessories

Bushing
SWH-HY02

SWH-HY04

Cross Ref: Hyundai# 10011746



Material: Aluminum

SWH-HY07

Cross Ref: Hyundai# 10009669



Material: Aluminum

SWH-HY08

Cross Ref: Hyundai# 10016045

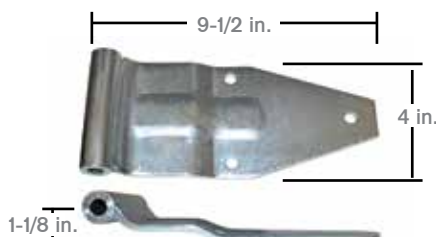


Material: Steel

Kentucky Style

FLT022-00614

Cross Ref: Kentucky# 2906



Material: Steel

FLT022-01035

Cross Ref: Kentucky# 6616396000



Side Door
Material: Aluminum

DOR

Swing Door Hardware

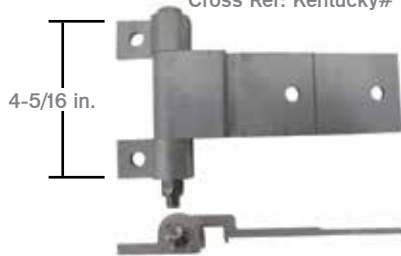


Hinges

Kentucky Style

FLT022-01040

Cross Ref: Kentucky# 6616600000

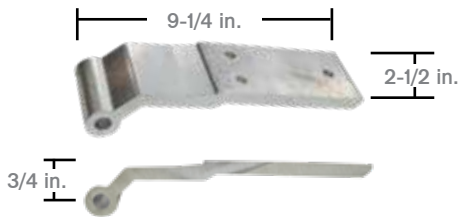


Swing Door
Material: Aluminum

Manac Style

SWH-MA03

Cross Ref: Manac# V3K00002



Material: Aluminum

SWH-MA04

Cross Ref: Manac# 353-239



No Holes
Material: Aluminum

Monon Style

FLT022-01185

Cross Ref: Monon# ED045011



Material: Aluminum

SWH-MN01

Cross Ref: Monon# DH032282



Material: Aluminum

SWH-MN02

Cross Ref: Eberhard# ED045011



Material: Aluminum

DOR

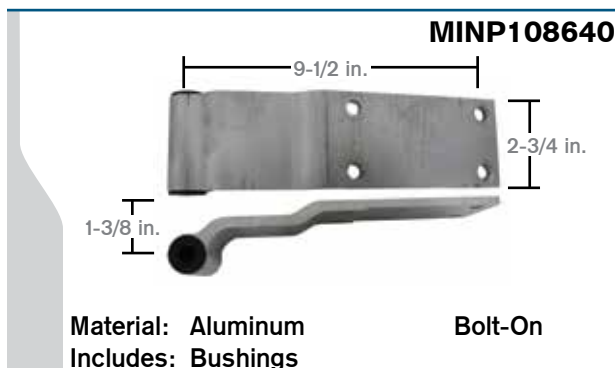
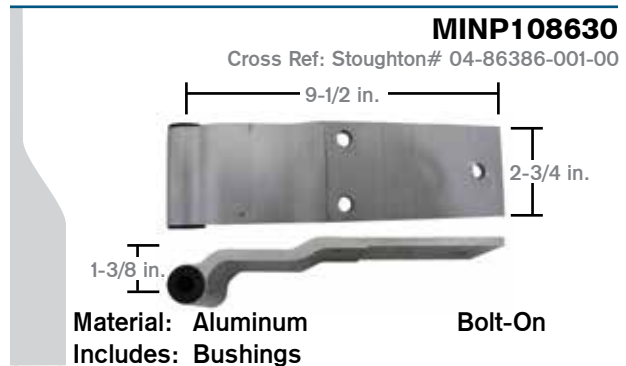
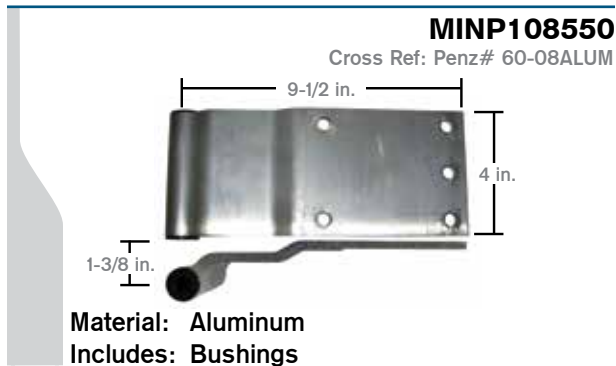
Swing Door Hardware

FLEET ENGINEERS

pro-FIT

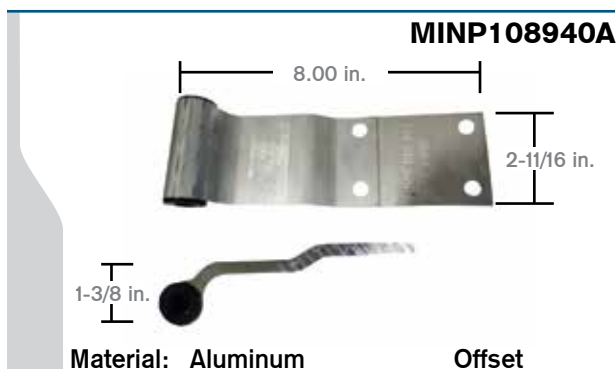
Hinges

Powerbrace / Miner



Powerbrace / Miner

Miner



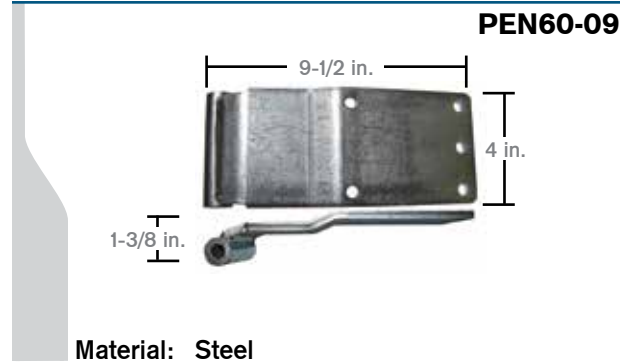
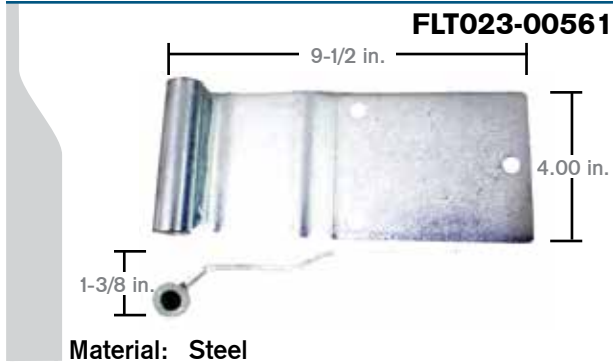
DOR

Swing Door Hardware

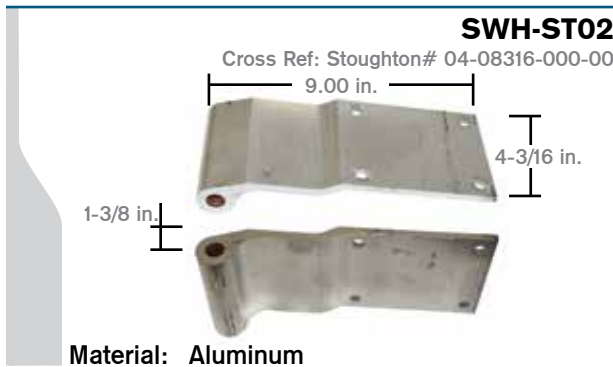


Hinges

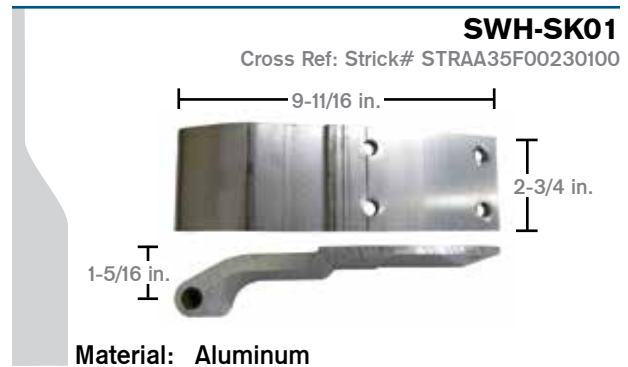
Miner Style



Stoughton Style



Strick Style



FLEET ENGINEERS

DOR

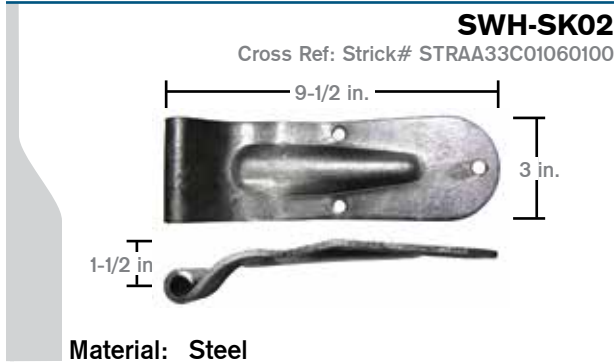
Swing Door Hardware

Pony

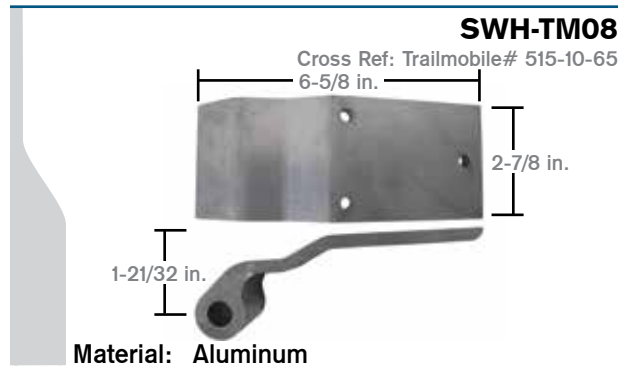
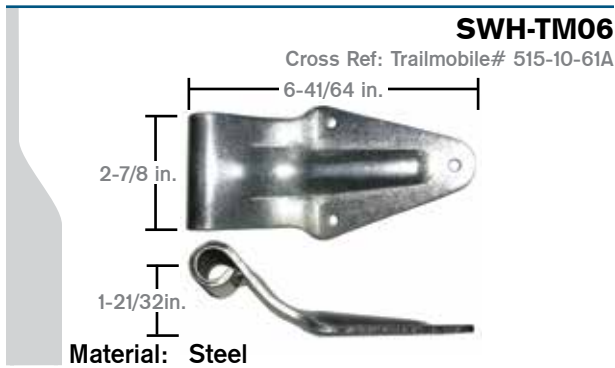
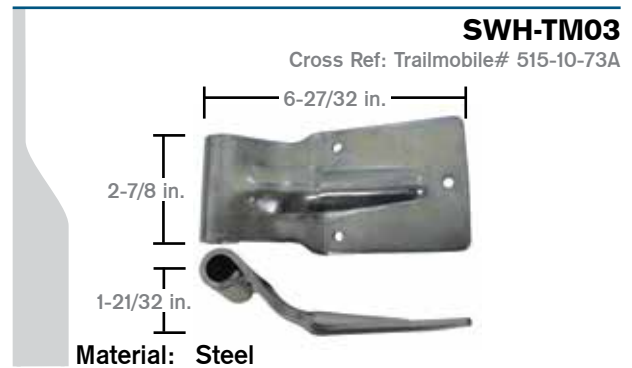
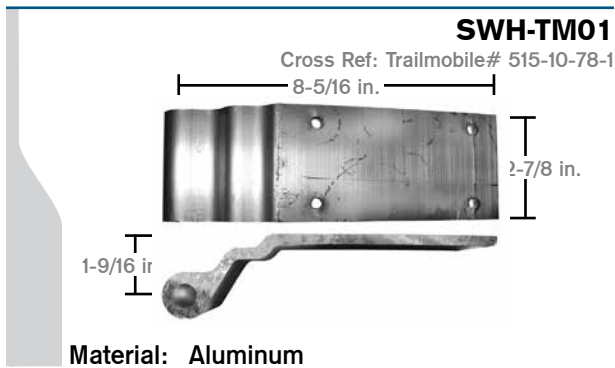
proFIT

Hinges

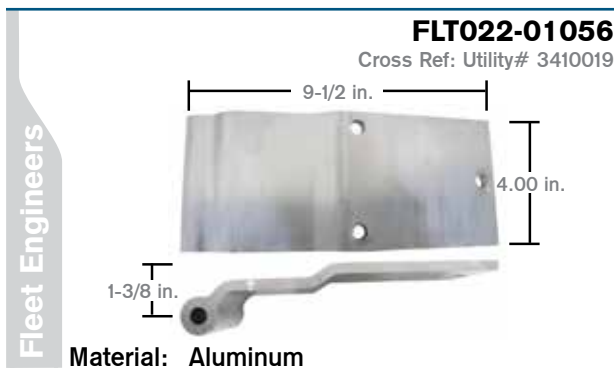
Strick Style



Trailmobile Style



Utility Style



DOR

Swing Door Hardware



Fleet Engineers

Fleet Engineers

Hinges

Utility Style

SWH-UT01
Cross Ref: Utility# 3-4100-0-022

Material: Aluminum

SWH-UT02
Cross Ref: Utility# 3-4100-0019

Material: Aluminum

SWH-UT04
Cross Ref: Utility# 01-4950-004

Material: Steel

Vanguard Style

FLT022-01407

Material: Aluminum

Accessories
Nylon Bushing
FLT022-01404

SWH-VN01
Cross Ref: Vanguard# RFP00127

Material: Aluminum

SWH-VN02
Cross Ref: Vanguard# RFP00020

Material: Aluminum

SWH-VN13
Cross Ref: Vanguard# CRTN8514104A201

Material: Aluminum

DOR

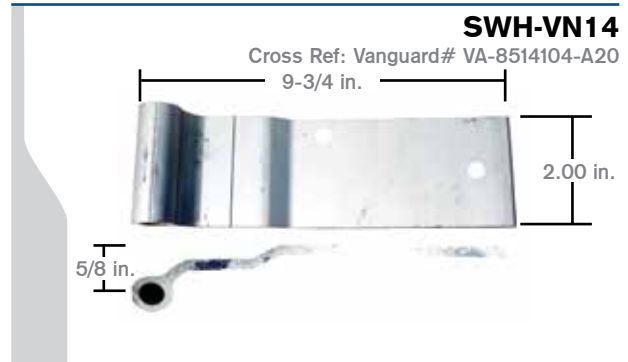
FLEET ENGINEERS

PRO-FIT

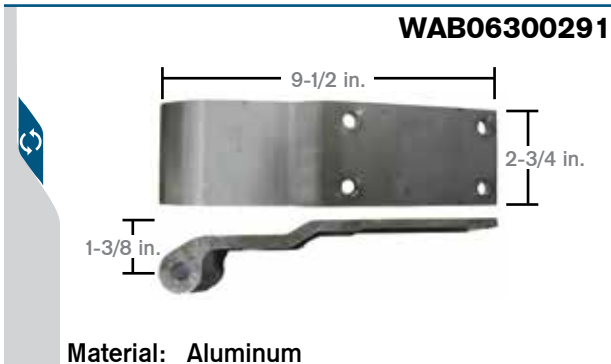
Swing Door Hardware

Hinges

Vanguard Style



Wabash



Tech Tip

Hinge Bolts

Item	Part Number	Description
Hex Bolt	BLT1-302	1/2 in.-13 x 5-1/2 in.; Grade 5
Hinge Bolt Kit	FLT021-00376	1/2 in.-13 x 5-1/2 in.; Washers & Nuts

DOR

Swing Door Hardware



More Information

Powerbrace Hinge Accessories Guide

Hinge #	Description/Options	Bushing#	Hinge Pin & Bolt Options
MINP107835RB	Hinge, 4"x 5/16", 3/Hole, 1-3/8" Offset, HDG (uses 2 P10872 bearings)	MINP10872 Bearing, Flanged, no key, for 1078/1088 Hinges, Nylon	MINP1054123A Hinge Pin, 1/2"x 5-1/4", Drilled, Zinc MINP1054107A Hinge Bolt, 1/2"x 5-1/2", SS MINP1054133A Hinge Bolt, 1/2"-13 x 5-1/2", Zinc
MINP107845RBB	Hinge, 4"x 5/16", 4/Hole, 1-3/8" Offset, HDG (uses 2 P10872 bearings)		
MINP107855	Hinge, 4"x 5/16", 5/Hole, 1-3/8" Offset, HDG (uses 2 P10872 bearings)		
MINP108530	Hinge, 4"x 1/4", 3/Hole, 1-3/8" Offset, Aluminum		
MINP108540	Hinge, 4"x 1/4", 4/Hole, 1-3/8" Offset, Aluminum		
MINP108835	Hinge, 4"x 1/4", 3/Hole, 1-3/8" Offset, HDG (uses 2 P10872 bearings)		
MINP108845	Hinge, 4"x 1/4", 4/Hole, 1-3/8" Offset, HDG (uses 2 P10872 bearings)		
MINP108855RBB	Hinge, 4"x 1/4", 5/Hole, 1-3/8" Offset, HDG (uses 2 P10872 bearings)		
MINP1502	Hinge Assy., P108540, 4" Hinge, w/bearings, butt, nut, bolt, (bagged)		
MINP1506	Hinge Assy., P108845, 4" Hinge, w/bearings, butt, nut, bolt, (bagged)		
MINP1507	Hinge Assy., P108847, 4" Hinge, w/bearings, butt, nut, bolt, (bagged)		
MINP108600	Hinge, 2-3/4"x 1/4", No Hole, 1-3/8" Offset, Aluminum	MINP10872 Bearing, Flanged, no key, for 1078/1088 Hinges, Nylon	MINP1054117 Hinge Pin, 1/2"x 4", SS MINP1054143 Hinge Pin, 1/2"x 4", Drilled, for 2-3/4" Hinge, Zinc MINP1054147 Hinge Pin, 1/2"x 4", Drilled, for 2-3/4" Hinge, SS MINP1054153A Hinge Bolt, 1/2"-13 x 4", for 2-3/4" Hinge, Zinc MINP1054157A Hinge Bolt, 1/2"-13 x 4", for 2-3/4" Hinge, SS
MINP108630	Hinge, 2-3/4"x 1/4", 3/Hole, 1-3/8" Offset, Aluminum		
MINP108640	Hinge, 2-3/4"x 1/4", 4/Hole, 1-3/8" Offset, Aluminum		
MINP109431	Hinge, 4", 3/hole, 1-3/8", Offset, Polymer		
MINP108940A	Hinge, 2-3/4", 4/Hole, 1-3/8" Offset, w/bearings, Aluminum (Wabash 8")		
MINP109545	Hinge, 2-3/4"x 5/16", 1-3/8" Offset, HDG (uses 2 P10872 bearings)		
MINP1503	Hinge Assy., P108630, 2-3/4" Hinge, w/bearings, butt, nut, bolt, (bagged)		
MINP1508	Hinge Assy., P108630, 2-3/4" Hinge, w/bearings, butt, nut, bolt, (bagged)		
MINP1509	Lift-Off Hinge Assembly, Aluminum, (bagged)		
MINP1510	3-Piece Hinge Assembly, Aluminum, (bagged)		

NOTE: Additional options available. Visit MyAuroraPlus.com for more Powerbrace products.

DOR

Swing Door Hardware



More Information

Powerbrace Hinge Accessories Guide

Nut/Washer Options	Hinge Butt Options	
<p>MINP1054013A NTE Locknut, 1/2"-13, Zinc</p> <p>MINP1054017A Nylok Nut, 1/2" -13, SS</p> <p>MINP105483 Washer, 1/2", Hardened, Zinc</p>	<p>MINP1154061 Hinge Butt, bolt-on, 1-3/8" Offset, 4" Hinge, Plain</p> <p>MINP1154065 Hinge Butt, bolt-on, 1-3/8" Offset, 4" Hinge, HDG</p> <p>MINP1156061 Hinge Butt, weld-on, 1-3/8" Offset, 4" Hinge, Plain</p> <p>MINP1156063 Hinge Butt, weld-on, 1-3/8" Offset, 4" Hinge, Zinc (Merik)</p> <p>MINP1156065 Hinge Butt, weld-on, 1-3/8" Offset, 4" Hinge, HDG</p> <p>MINP1156101 Hinge Butt, weld-on, 1-5/8" Offset, 4" Hinge, Plain</p>	<p>MINP1156105 Hinge Butt, weld-on, 1-5/8" Offset, 4" Hinge, HDG</p> <p>MINP11661 Hinge Butt, weld-on, 1-3/8" Offset, 4" Hinge, Intermodal, Plain</p> <p>MINP11665 Hinge Butt, weld-on, 1-3/8" Offset, 4" Hinge, Intermodal, HDG</p> <p>MINP1356067 Hinge Butt, weld-on, 1-3/8" Offset, 4" Hinge, SS</p> <p>MINP161321 Hinge Butt, weld-on, 5/16"x1/2", 2-3/4" & 4" Hinge, Plain</p>
<p>MINP1054013A NTE Locknut, 1/2"-13, Zinc</p> <p>MINP1054017A Nylok Nut, 1/2" -13, SS</p> <p>MINP105483 Washer, 1/2", Hardened, Zinc</p>	<p>MINP11632971 Hinge Butt, weld-on, 1-3/8" Offset, 2-3/4" Hinge, Plain</p> <p>MINP11632973A Hinge Butt, weld-on, 1-3/8" Offset, 2-3/4" Hinge, Zinc</p> <p>MINP11632975 Hinge Butt, weld-on, 1-3/8" Offset, 2-3/4" Hinge, HDG</p> <p>MINP11632977 Hinge Butt, weld-on, 1-3/8" Offset, 2-3/4" Hinge, SS</p>	<p>MINP1164161 Hinge Butt, weld-on, 2" Offset, 2-3/4" Hinge, Plain</p> <p>MINP1169061 Hinge Butt, bolt-on, 1-3/8" Offset, 2-3/4" Hinge, Aluminum</p> <p>MINP161321 Hinge Butt End, 5/16"x1/2", 2-3/4" & 4" Hinge, Plain, (Stoughton)</p>
	<p>MINP43560 Hinge Butt, single, no-hole, Aluminum</p> <p>MINP43561 Hinge Butt, single, bolt-on, Aluminum</p> <p>MINP43561EP Hinge Butt, single, bolt-on, EP</p> <p>MINP4356L 8' length of P43560 extrusion, no-holes, Aluminum</p>	<p>MINP43611 Hinge Butt, double, weld-on, Aluminum</p> <p>MINP50730 Hinge Butt, single, bolt-on, Aluminum (43561 single butt - bag of 20)</p> <p>MINP50730EP Hinge Butt, single, bolt-on, EP finish (43561 single butt - bag of 20)</p> <p>MINP50735 Hinge Butt, double, weld-on, Aluminum (43611 double butt - bag of 10)</p>

DOR

Swing Door Hardware



Hinge Accessories

FLT022-01404



Material: Nylon

Keyed Bushing
MINP10871



Material: Nylon
For: Aluminum Hinges

Flanged Bushing
MINP10872

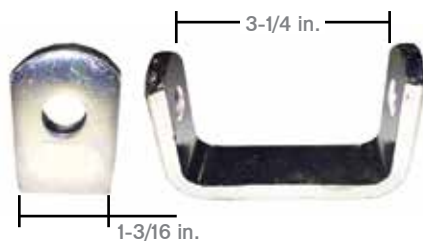


Material: Nylon
For: Steel Hinges

Hinge Butts

Fleet Engineers

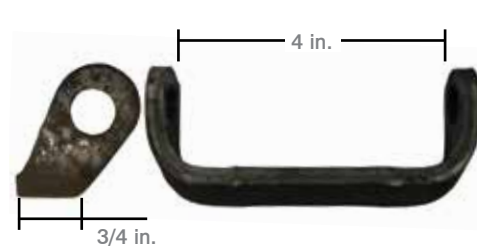
FLT023-00642



Material: Steel
Pin: 1/2 in.

Fruehauf

FRUWCF3981-1



Material: Steel
Pin: 1/2 in.

Pro-FIT

OEM Precision Products



Pro-Fit all-makes product line consists of parts that are precision engineered as a direct fit for the original OEM component. Through Pro-Fit, Aurora offers direct-fit replacement parts for all brands of trailers.

FLEET ENGINEERS

DOR

Swing Door Hardware

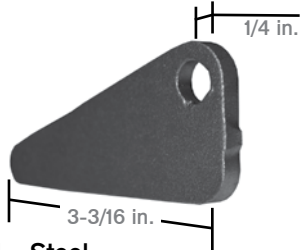


Hinge Butts

Great Dane Style

PEN65-07

Cross Ref: Great Dane# 08137



Material: Steel
Pin: 3/8 in. 2 Per Hinge

Hyundai Style

SWH-HY10



Material: Steel
Pin: 5/8 in.

Powerbrace / Miner

MINP1169061



1-3/8 in. Offset
Bolt-On

MINP1156061



Use: 4 in. Hinges, 1-3/8 in. Offset
Material: Steel Weld-On
Pin: 1/2 in.

MINP1156065



Use: 4 in. Hinges, 1-3/8 in. Offset
Material: Steel HDG Bolt-On
Pin: 1/2 in.

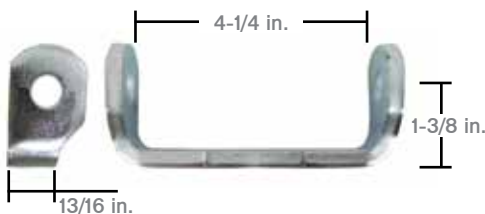
MINP11661



Use: 4 in. Hinges, 1-3/8 in. Offset
Material: Steel Intermodal Heavy Duty
Pin: 1/2 in. Weld-On

Miner Style

FLT023-00664



Material: Steel

PEN65-05

Cross Ref: Miner# P1156061



Material: Steel
Pin: 1/2 in.

Power



DOR

Swing Door Hardware



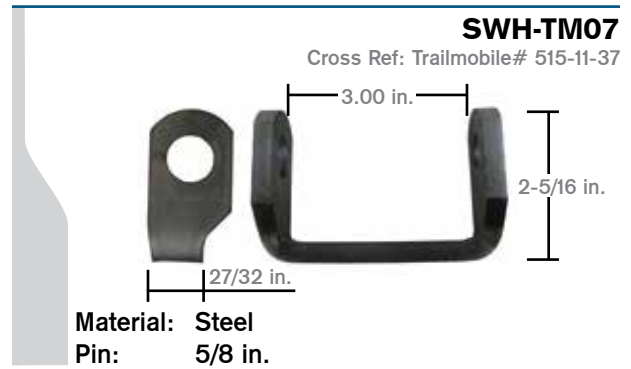
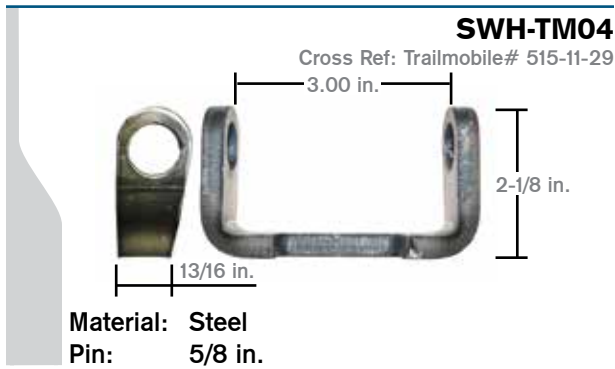
ELEET ENGINEERS

Hinge Butts

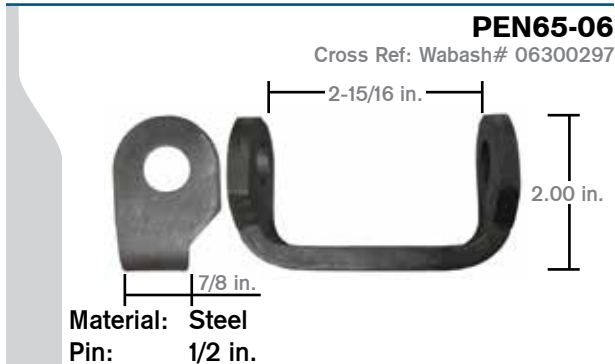
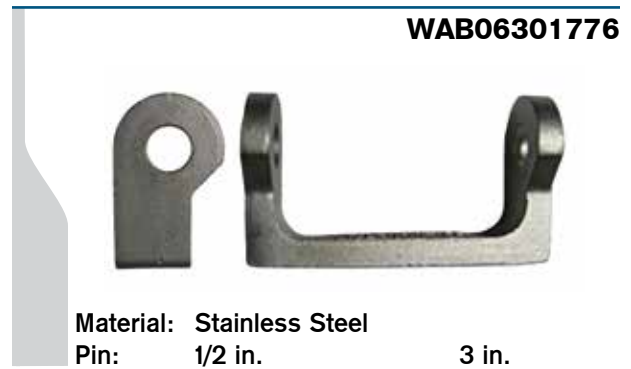
Stoughton Style



Trailmobile Style



Wabash



DOR

Swing Door Hardware



Pony

Hinge Pins

Buffers

BUF1402-6216



Material: Stainless Steel
Diameter: 1/2 in.

Fruehauf

FRUWCE7812-1



Material: Steel
Diameter: 1/2 in.

Fruehauf / Miner

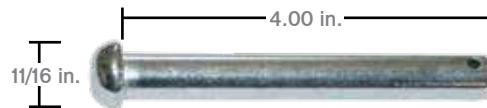
FLT997-98017



Material: Steel
Diameter: 1/2 in.

Dorsey Style

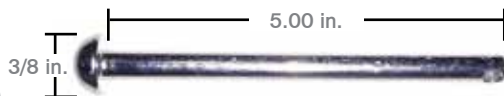
SWH-DY01



Material: Steel
Diameter: 1/2 in.

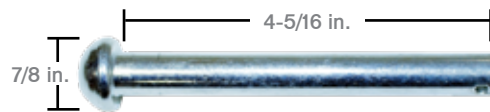
Great Dane Style

FLT997-98015



Material: Steel
Diameter: 3/8 in.

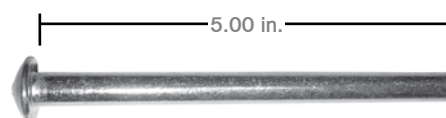
FLT997-98027



Material: Steel
Diameter: 1/2 in.

SWH-GD02

Cross Ref: Great Dane# 44573



Material: Steel
Diameter: 3/8 in.



Swing Door Hardware



Hinge Pins

Powerbrace / Miner

MINP1054123A

Cross Ref: Fruehauf# WCE7812-1



Material: Zinc Plated
Diameter: 1/2 in.

MINP1054143A



Material: Zinc Plated
Diameter: 1/2 in.

Stoughton Style

SWH-ST03

Cross Ref: Stoughton# 04-86386-005-00



Material: Steel
Diameter: 1/2 in.

Trailmobile Style

SWH-TM02

Cross Ref: Trailmobile# 515-12-13



Material: Steel
Diameter: 5/8 in.

Utility Style

SWH-UT03

Cross Ref: Utility# 3-6101-08



Material: Steel
Diameter: 5/8 in.

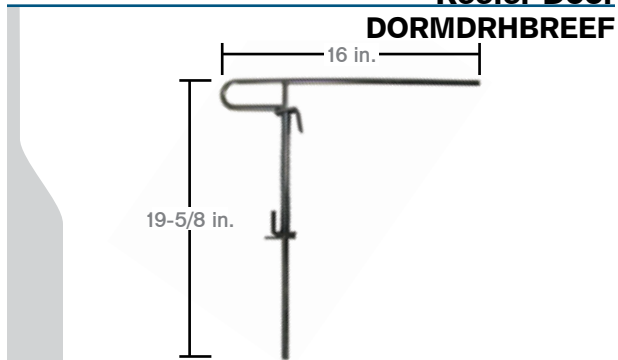
DOR

Swing Door Hardware



Holdbacks

**Reefer Door
DORMDRHBREEF**



Assembly

Size	Assembly
3 in.	FLT021-00372
4 in.	FLT021-00373



**T-Slot Base
FLT022-00522**



**T-Slot Holder
FLT022-00990**



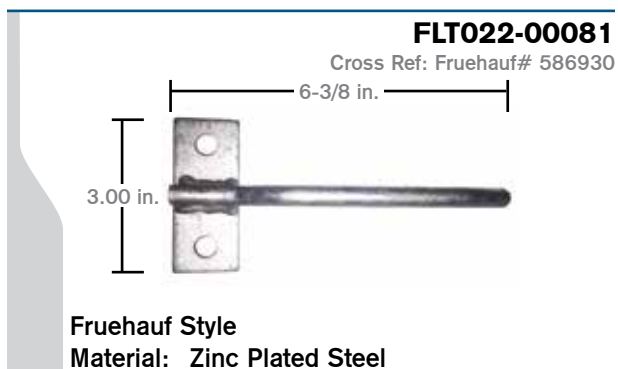
**Cable F/S
FLT022-00487**



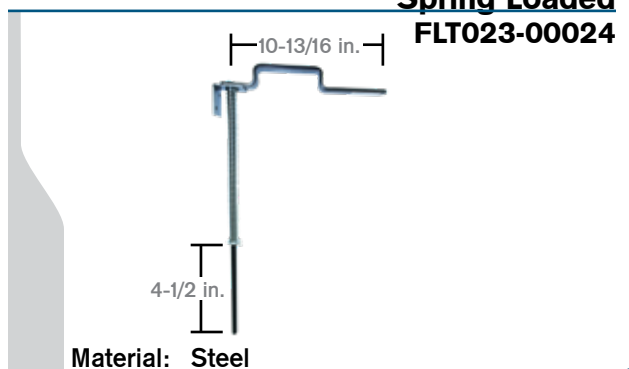
**T-Slot
FLT022-01022**



FLT022-00081
Cross Ref: Fruehauf# 586930



**Spring Loaded
FLT023-00024**



DOR

Swing Door Hardware

**FLEET
ENGINEERS**

Holdbacks

Location
 Roadside **FRUDCF5691-1**
 Curbside **FRUDCF5691-2**



Material: Steel

IMXGT-1301

Cross Ref: Wabash# 06300015



Material: Galvanized

T-Style

Cross Ref	T-Bar Length	
Flt Eng# 022-01022	4 in.	IMXGT-1302
Flt Eng# 022-01024	6 in.	IMXGT-1326



Spring Loaded Assembly

IMXGT-1303

Cross Ref: Wabash# 06300094
 20-1/2 in.



Material: Stainless Steel
 Length: 20-1/2 in.

DOR

Swing Door Hardware

FRUEHAUF

proFIT

Hook

IMXGT-1306

Cross Ref: Wabash# 06300119



Material: Galvanized

Post

IMXGT-1307

Cross Ref: Wabash# 06300693



Material: Galvanized
 Post Length: 6-3/4 in.

Post

IMXGT-1312

Cross Ref: Wabash# 06301964



Material: Galvanized
 Post Length: 4-11/32 in.

Hook - Trailmobile Style

HLD-TM01

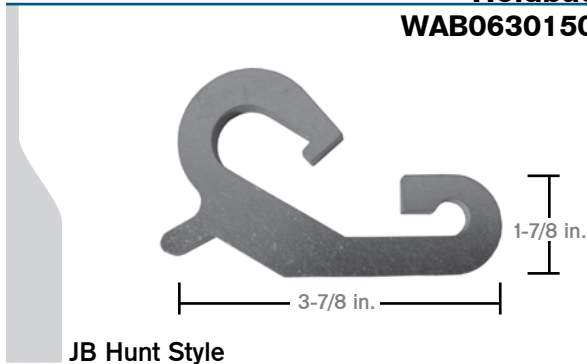
Cross Ref: Trailmobile# 515-9-81



Holes: 2
 Length: 4 in.

Holdbacks

Holdback
WAB06301509



Trustlock Plate
WAB06301614



Trustlock Plus Assembly
WAB06002567



Trustlock Plus Reinforce Plate
WAB06A01169



Loop Retainer
WAB06S01194



DOR

Swing Door Hardware



More Information

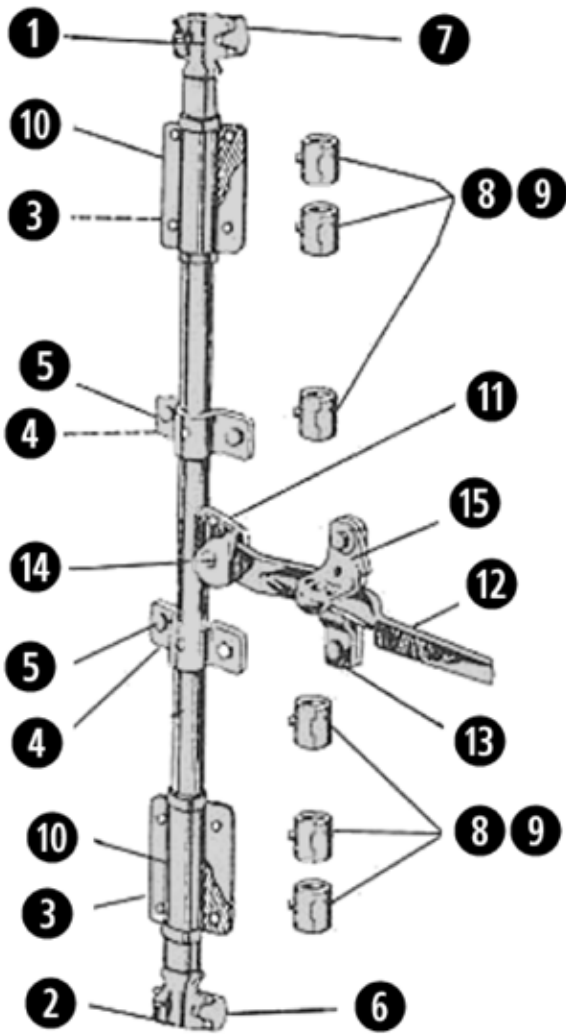
www.MyAuroraPlus.com

Need more information on a particular trailer? Log into www.MyAuroraPlus.com for Aurora's Graphical Bill of Material (GBOM). Easily point and click through visual elements of a trailer to drill down to an individual trailer component.

Bloxwich Style Lockrods

Components

Item	Part Number	Description
1	BUF1401-2194R	Right Hand Cam - Right Top/Left Bottom (Bloxwich #10080)
2	BUF1401-2194L	Left Hand Cam - Right Bottom/Left Top (Bloxwich #10081)
3	BLO10159-1	Bearing Back Plate
4	BUF1401-2176	Guide Back Plate (Bloxwich# 10160)
5	BUF1401-2175	Outer Guide
6	BLO10364	Left Hand Keeper - Right Bottom/Left Top
7	BUF1401-2189L	Right Hand Keeper - Right Top/Left Bottom (Bloxwich #10365)
8	BLO10556	Nylon Bushing - 1/2 in. Outer
9	BLO10557	Nylon Bushing - 1/2 in. Inner
10	BUF1401-2173	Bearing Bracket (Bloxwich# 11028)
11	BLO22084	Handle Hub
12	BLO22182	Handle
13	BLO22183	Handle Retainer
14	BLO22185	Bushing
15	BLO22192	Latch



DOR

Swing Door Hardware



Bloxwich Style Components

Keepers

Location	Bloxwich#
Right Bottom/Left Top	BLO10364
Right Top/Left Bottom	BUF1401-2189L



Bushings

Location	Bloxwich#
Outer	BLO10556
Inner	BLO10557



Material: Nylon

Handle BLO22182



Handle Retainer BLO22183



Handle Bushing BLO22185



Handle Catch BLO22192



Cams

Bloxwich#	Location	Bloxwich#
10080	Right Top/Left Bottom	BUF1401-2194R
10081	Right Bottom/Left Top	BUF1401-2194L



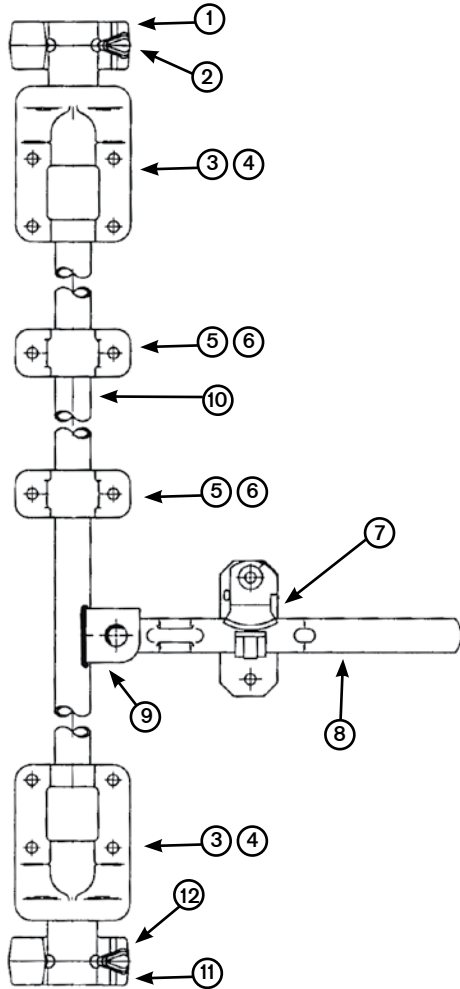
Buffers

DOR

Swing Door Hardware



Eberhard Lockrods



Components

Item	Part Number	Description
1, 11	EBH1969-2	Cam
2, 12	EBH1969-1	Flush Keeper
3	EBH1969-8	Bearing Cover
4	EBH1969-9	Back Plate
5	EBH1969-10	Pipe Strap
6	EBH1969-11	Back Plate
7	EBH1969-7	Latch
8	EBH1969-6	Handle
9	EBH1969-5	Handle Clip
10	MINP50005A	Pipe - 1 in. x 120 in., Galvanized Steel

For Narrow Shallow Header

1, 11	EBH1974-2X-13	Cam
2, 12	EBH1974-1	Flush Keeper

DOR

Swing Door Hardware



Eberhard Components

Cams

Location
Left Hand **EBH16437L**
Right Hand **EBH16437R13**



Cam

EBH1969-2



Cam

EBH1969-35



Cam

EBH1974-2X-13



New Style Cam

EBH1977-35



Narrow Header Cam

EBH4-1974-2



Handle

EBH1969-6



Back Plate

EBH1969-9



DOR

Swing Door Hardware



Eberhard Components

Bearing Cover
EBH1969-8



Bearing Cover
EBH1979-10



Pipe Strap
EBH1969-10



Back Plate
EBH1969-11



Bearing Cover
EBH1979-8



Bushings

Location	Part Number
Lower	EBH1979-18
Upper	EBH1979-19



Handle Clip
EBH1969-5



Universal Lockrod
EBH1969-64



Style: Great Dane No Handle or Cams
Length: 139-1/4 in. Handle Height: 11-11/64 in.

DOR

Swing Door Hardware



Eberhard Components

Flush Keeper
EBH1974-1



Keeper
EBH1969-1



Flush Keeper
EBH1979-1



Handle Latch Plate
EBH1969-4



Handle Bushing
EBH1969-39



Handle Catch
EBH1969-7



Product Information

Eberhard Manufacturing Company

Eberhard Manufacturing leads the way in cam door lock manufacturing. They offer a large number of door lock types to secure vehicles. The most common is the 1969 Series Lockrod with or without tubing. Total projection is less than 2 in. with rack control, anti-rack cams and keepers.

Additional Series by Eberhard Manufacturing:

1971	16857	5650	7502 / 7503
1972	30004	5654	7504 / 7505
1974	30005	5660	7506 / 7507
1979		5663	

DOR

Swing Door Hardware



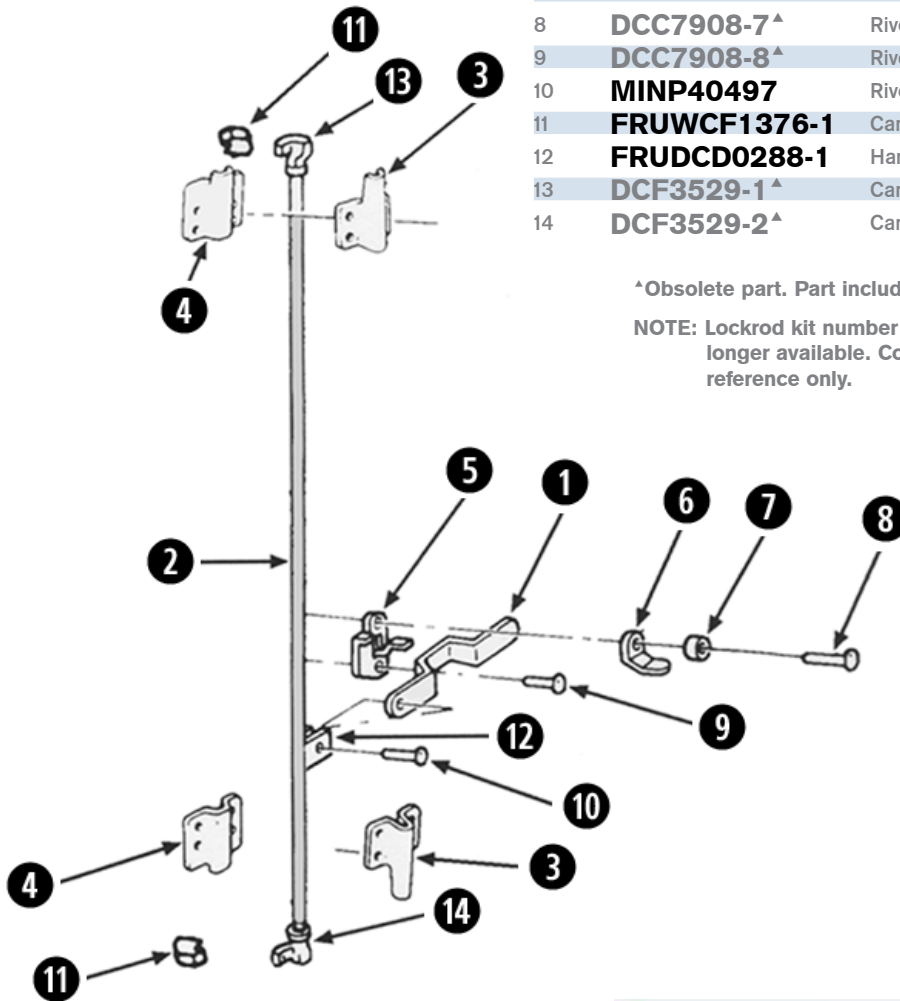
Fruehauf Lockrods

Components

Item	Part Number	Description
1	FRUDCF3525-1	Door Handle, 14-1/2 in. Lockrod
2	DCF3528-801 ^	Universal HD Lockrod
3	FRUDCF3522-1	Lock Rod Strap
4	FRUDCF3527-1	Wear Plate
5	DCF3532-1 ^	Handle Retainer
6	FRUDCF3531-1	Handle Latch
7	FRUDCF3524-1	Spacer
8	DCC7908-7 ^	Rivet, 3/8 in. x 1-5/16 in.
9	DCC7908-8 ^	Rivet, 3/8 in. x 1-1/2 in.
10	MINP40497	Rivet, 13-32 in. x 1-1/2 in. SS
11	FRUWCF1376-1	Cam Keeper
12	FRUDCD0288-1	Handle Bracket
13	DCF3529-1 ^	Cam
14	DCF3529-2 ^	Cam

^ Obsolete part. Part included for reference only.

NOTE: Lockrod kit number DCF3528-900 is obsolete and no longer available. Component parts listed are for reference only.



DOR

Swing Door Hardware

FRUEHAUF

Fruehauf Components

Anti-Theft Door Retainer Plate
FRUDCF3520-1



Material: Steel

Keeper
FRUWCF1376-1



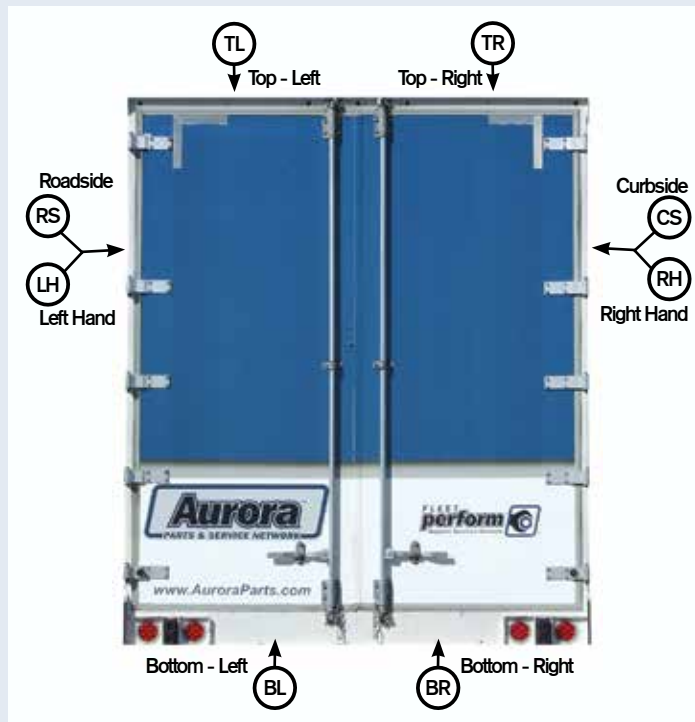
DOR

Swing Door Hardware



More Information

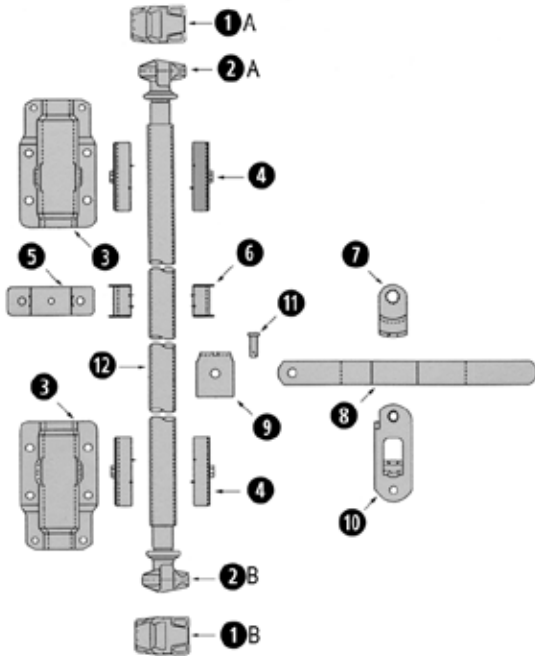
Swing Door Location Guide



Powerbrace Lockrods

DOR

Swing Door Hardware



Components

Item	Part Number	Sill - Header	Location
1A	Upper Keeper		
	MINP10645	DL-DL	
		DL-CT	
	MINP41405	DL-NH	
	MINP41557	HV-SH	Left Hand
	MINP41567	HV-SH	Right Hand
1B	Lower Keeper		
	MINP10645	DL-BU	
		DL-CT	
		DL-NH	
	MINP42231	HV-SH	
2A	Upper Cam		
	MINP41415	DL-DL	Left Hand
	MINP41425		Right Hand
	MINP20915	DL-CT	Left Hand
	MINP20925		Right Hand
	MINP41415	DL-NH	Left Hand
	MINP41425		Right Hand
	MINP41535	HV-SH	Left Hand
	MINP41545		Right Hand
2B	Lower Cam		
	MINP40445		Left Hand
	MINP40435	DL-DL	Right Hand
	MINP20925		Left Hand
	MINP20915	DL-CT	Right Hand
	MINP40445		Left Hand
	MINP40435	DL-NH	Right Hand
	MINP24975		Left Hand
	MINP24985	HV-SH	Right Hand
3	Guide Plate		
		DL-DL	
	MINP42075	DL-NH	
		HV-SH	
4	Guide Plate Half Bushing		
	MINP40071	DL-CT	
		DL-BU	
	MINP40421	DL-NH	
		HV-SH	
5	MINP40055	Rod Guide	
6	MINP40061	Rod Guide Half Bushing	
7	MINP40125	Seal Pin	
8	MINP40905	Handle	
9	MINP42085	Handle Mount	
10	MINP40115	Seal Plate	
11	MINP40497	Rivet - 13/32 in. x 1-1/8 in.	
12	MINP50005A	Pipe - 1 in. x 120 in., Galvanized Steel	

Powerbrace Components

Lockrod Assemblies

	Model	Handle Location	Handle Height	Length	Additional
MINP151017KIT	SI-SI	Left Hand	14 in.	112-9/16 in.	Lockrod w/P50515 Kit
MINP151018KIT	SI-SI	Right Hand	14 in.	112-9/16 in.	Lockrod w/P50515 Kit
MINP151063KIT	QF-QF	Left Hand	14 in.	120 in.	Lockrod w/P50305 Kit
MINP151064KIT	QF-QF	Right Hand	14 in.	120 in.	Lockrod w/P50315 Kit
MINP152011KIT	DL-NH	Left Hand	14 in.	120 in.	Lockrod w/P50155 Kit
MINP152012KIT	DL-NH	Right Hand	14 in.	120 in.	Lockrod w/P50165 Kit
MINP152037KIT	Trustlock Plus - NH	Left Hand		120 in.	TEL Lockrod w/P51125 Kit
MINP152038KIT	Trustlock Plus - NH	Right Hand		120 in.	TEL Lockrod w/P51135 Kit



Lockrods - Galvanized (Loose or No Top Cam)

	Model	Handle Location	Handle Height	Length	Additional	Completion Kits
MINP151705	SI-SI	Left Hand	14 in.	120 in.	No Top Cam, No Rings	P50875
MINP151706	SI-SI	Right Hand	14 in.	120 in.	No Top Cam, No Rings	P50585
MINP152011	DL-NH	Left Hand	14 in.	120 in.	No Top Cam	P50155/P50555/P50915
MINP152012	DL-NH	Right Hand	14 in.	120 in.	No Top Cam	P50165/P50565/P50925
MINP151181TEL	HV-SH	Left Hand	14 in.	120 in.	With Top Cam/Keeper Loose	P50815
MINP151182TEL	HV-SH	Right Hand	14 in.	120 in.	With Top Cam/Keeper Loose	P50825
MINP152011TEL	DL-NH	Left Hand	14 in.	120 in.	With Top Cam Loose	
MINP152012TEL	DL-NH	Right Hand	14 in.	120 in.	With Top Cam Loose	
MINP152037	Trustlock Plus	Left Hand	14 in.	120 in.	No Top Cam	
MINP152038	Trustlock Plus	Right Hand	14 in.	120 in.	No Top Cam	
MINP153459	Trustlock Plus	Left Hand	13 in.	114-1/8 in.		
MINP153460	Trustlock Plus	Right Hand	13 in.	114-1/8 in.		
MINP153587	Trustlock Plus	Left Hand	13 in.	115-1/8 in.		
MINP153588	Trustlock Plus	Right Hand	13 in.	115-1/8 in.		



More Information

TEL

TEL refers to "Top End Loose" meaning the top cam comes unattached for field length adjustment.

DOR

Swing Door Hardware



Powerbrace Components

DL-NH Hardware Kit

Handle Location		
Left Hand		MINP50155
Right Hand		MINP50165



Galvanized
Use with TEL Lockrod

Trustlock Plus Hardware Kit

Location		
Left Hand		MINP51125
Right Hand		MINP51135



Galvar
Use with TEL Lockrod

DL-DL Hardware Kit MINP50015



Galvanized
Includes Handle & Bottom Cam
Use with 1 in. Pipe

DL-NH Hardware Kit

Handle Location		
Left Hand		MINP50025
Right Hand		MINP50035



Galvanized
Includes Handle & Bottom Cam
Use with 1 in. Pipe

HV Cam End

Top Location	Bottom Location	
Right Hand	Left Hand	MINP24975
Left Hand	Right Hand	MINP24985



Material: Galvanized

DL Cam End

Top Location	Bottom Location	
Left Hand	Right Hand	MINP40435
Right Hand	Left Hand	MINP40445



Material: Galvanized

NH Cam End

Top Location	Bottom Location	
Left Hand	Right Hand	MINP41415
Right Hand	Left Hand	MINP41425



Material: Galvanized

SH Cam End

Top Location	Bottom Location	
Left Hand	Right Hand	MINP41535
Right Hand	Left Hand	MINP41545



Material: Galvanized

DOR

Swing Door Hardware



Door Securement

Versatile lockrods for use in all applications

Powerbrace offers more lockrod models than any other manufacturer in the world, and our heavy-duty 1-inch and medium-duty $\frac{3}{4}$ -inch lockrods cover truck trailer, stock, horse, utility and truck body door applications. Lockrod assemblies are normally supplied complete with welded top and bottom cams and lever assembly. Lockrods may also be ordered with the top cam loose (TEL) for field assembly. Lockrods may be ordered with or without mounting hardware. Bolt-on and weld-on keepers are available in several materials and finishes.



FEATURES

- 1-inch lockrods meet or exceed end-wall force requirements AAR M-930 (for containers) and M-931 (for trailers).
- Standard finish is hot-dip galvanized. Other finishes are also available.
- Heavy-duty, high-yield (55,000 minimum psi), low-alloy tubing for maximum strength.
- Mounting hardware utilizes snap-in Acetal anti-seize bushings for easy assembly and smooth operation (prevents galling and eliminates the need for lubrication).

More Options,
Better Solutions



Powerbrace Components

QF (Quad Finger) Cam End

Top Location	Bottom Location	
Left Hand	Right Hand	MINP42015
Right Hand	Left Hand	MINP42025



NS Cam End

Top Location	Bottom Location	
Left Hand	Right Hand	MINP42255
Right Hand	Left Hand	MINP42265



Material: Galvanized

SI Cam End

Top Location	Bottom Location	
Left Hand	Right Hand	MINP42575
Right Hand	Left Hand	MINP42585



Trustlock Plus NH Cam

Location		
Left Hand		MINP44215
Right Hand		MINP44225



Material: Galvanized

DOR

Swing Door Hardware



More Information

Powerbrace Model Letter Codes

Setup

First set indicates sill style (bottom), second set of letters indicates header style (top).

Example

DL-NH indicates DL is at the bottom, NH is at the top.

Models	Description
DL-DL	Dual lobe design for maximum strength & anti-rack protection (formerly DL-BU).
DL-NH	Dual lobe design for larger cube vans with narrow headers.
NH-NH	Dual lobe design for vans with narrow sills & headers.
CT-CT	Dual lobe with dual ferrule cam design for sill & header with added anti-rack & end load protection for marine/cargo container application (formerly DL-CT).

Model Letters	Description
DL	Dual Lobe Design
HD	1-1/2 in. Keeper Saddle Style
HV	Standard Sill - Reach & Gather
NH	Narrow Header
NS	Narrow Sill
NS	Narrow Sill - Long Reach
QF	Quad Finger
SC	Secura Cam
SH	Shallow Header - Reach & Gather
ST	Shallow Header - Long Reach
VL	1 in. Keeper Saddle Style

NOTE: Additional Models available. Models listed are for reference only.

Powerbrace Components

DL-CT Weld-On Keeper

Finish	
Galvanized	MINP10645
Stainless Steel	MINP10647



NH Weld-On Keeper

Finish	
Galvanized	MINP41405
Stainless Steel	MINP41407



Style: Offset

SH Weld-On Keeper

Finish	
Plain	MINP41551
Galvanized	MINP41555
Stainless Steel	MINP41557



Top Location: Left Hand
Bottom Location: Right Hand

SH Weld-On Keeper

Finish	
Plain	MINP41561
Galvanized	MINP4156-5
Stainless Steel	MINP41567



Top Location: Right Hand
Bottom Location: Left Hand

HV Weld-On Bottom Keeper

Material	
Plain	MINP42231
Galvanized	MINP42235
Stainless Steel	MINP42237



NS Bottom Keeper

MINP42241



Material: Plain

QF Weld-On Keeper

MINP42375



Material: Galvanized

Rivet

MINP40497



Material: Stainless Steel
Size: 13/32 in. x 1-1/8 in.

DOR

Swing Door Hardware



Powerbrace Components

Half Bushing
MINP40061



For use with 1 in. Pipe
Use with P40052 Rod Guide (Alum)
P40055 (Galvanized)

Half Bushing
MINP40071



For use with 1 in. Pipe
Use with P40035/P40045 Guide Plate/Back Plate

Half Bushing
MINP40421



For use with 1 in. Pipe
Use with P42075 Guide Plate

Half Bushing
MINP42521



For use with 1 in. Pipe
Use with Guide Plate

Guide Plate
MINP42075



Material: Galvanized

Guide Plate
MINP43875



Material: Galvanized
Hole Pattern: 2-1/2 in. Style: Rolled Nose

Rod Guide
MINP40055



Material: Galvanized

Handle Latch Plate

Finish Plain **MINP40111**

Galvanized **MINP40115**

Stainless Steel **MINP40117**



For use with 4090 Handle

DOR

Swing Door Hardware



Powerbrace Components

Handle Catch
MINP40125



Finish: Galvanized
For use with 4090 Handle

Handle

Finish	
Plain	MINP40901
Galvanized	MINP40905



Handle Mount
MINP42085



Size: 1 in.
Finish: Galvanized

Trustlock Plus Handle Assembly

Location	
Right Hand	MINP44315
Left Hand	MINP44325



Material: Galvanized

Seal Pin
MINP40121



Thickness: 1/8 in.

Theft Deterrent Plate
MINP43725



Hole Centers: 11-3/8 in.

TLP Cam

Location	
Right Hand	MINP44235
Left Hand	MINP44245



Material: Galvanized

DOR

Swing Door Hardware



Lockrod Components

Buffers

Anti Rack Ring
BUF1401-2172



Size: 11 mm x 7/16 in.
Material: Zinc

Rivet

BUF1401-2587



Hub Mounting Bracket
BUF1401-8149



Fleet Engineers

Lockrod Set
FLT021-00312



Style: Miner DL

Top & Bottom Half
FLT023-00959



Style: Miner

Half Bearing
FLT023-00966



Style: Miner

DOR

Swing Door Hardware



Lockrod Components

Lower Keeper

Location
Right Hand **BUF1401-2190-R**
Left Hand **BUF1401-2190-L**



**Hyundai Style
Hinge Bushing
SWH-HY02**



**Hyundai Style
Lockrods**

Location
Left Hand **LOK-HY06**
Right Hand **LOK-HY04**



Length: 113-1/16 in.

Trailmobile Style

**Trailmobile Rear Handle Latch
LOK-TM01**

Cross Ref: Trailmobile# 532-A2-21



**Anti Theft Plate
WAB06S00024**



**Wabash
Anti Theft Plate
WAB06S04491**



Material: Galvanized



DOR

Swing Door Hardware



Mid Cam Locks

Eberhard Lock Parts

Part Number	Type	Part Number	Type
EBH1969-20	Blade	EBH1969-24	Pin
EBH1969-22	Guide	EBH1971-21	Keeper



(EBH1969-20)



(EBH1969-22)



(EBH1969-24)



(EBH1971-21)

Powerbrace Kit MINP50145



Hot-Dip Galvanized Finish; kit includes barrel

Stoppers

Insert

IMXGT-1318

Cross Ref: Wabash# 06301217



Material: Rubber

Door Bumper

IMXGT-2108



Size: 1-1/2 in. x 3/4 in.
Hole Diameter: 1/4 in.

Great Dane Style

SWH-GD14

Cross Ref: Great Dane# 45064



Material: Rubber



DOR

Swing Door Hardware

